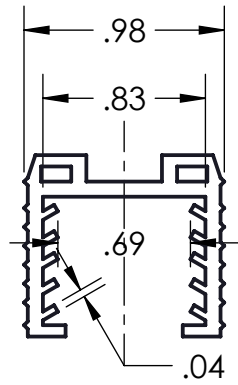


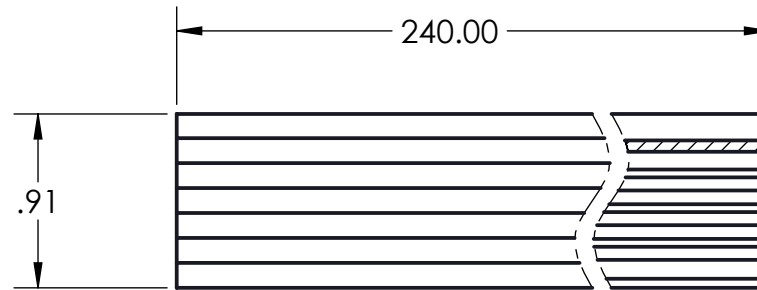
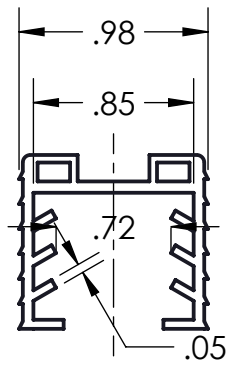


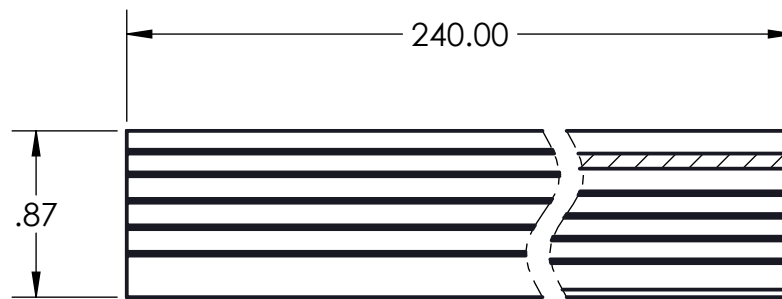
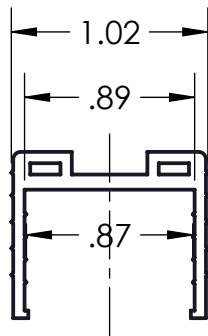
PART NO.			CGA-16011-RBL		
DESCRIPTION:					
CAP RAIL ROUND GASKET 1.66" O/D AND U-SHAPED CAP RAIL 1/2-9/16" GLASS - 20'					
MATERIAL:					
RUBBER					
DATE:	03/22/2024	SIZE:	A	SHEET:	1 / 1



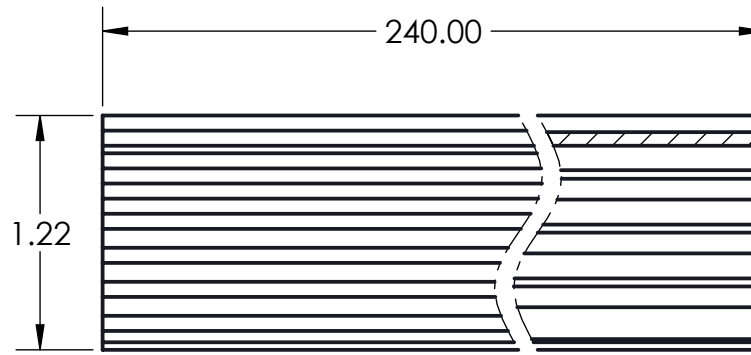
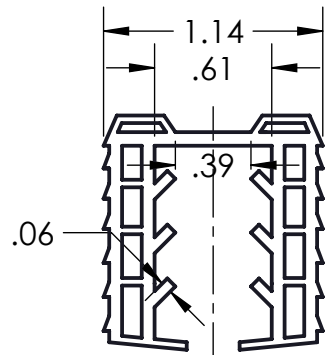
PART NO:			CGA-16016-RBL		
DESCRIPTION:					
CAP RAIL ROUND GASKET 1.66" O/D AND U-SHAPED CAP RAIL 5/8-11/16" GLASS - 20'					
MATERIAL:					
RUBBER					
DATE:	03/22/2024	SIZE:	A	SHEET:	1 / 1
					



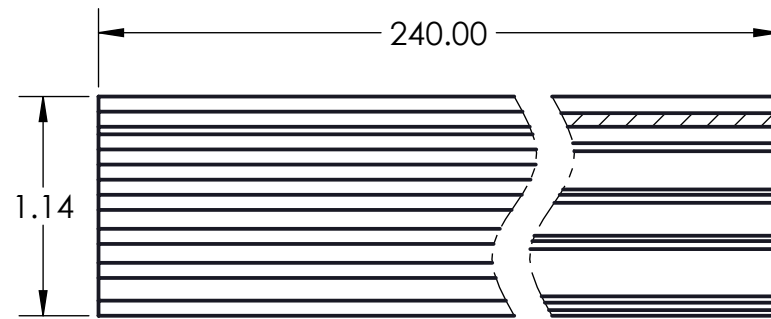
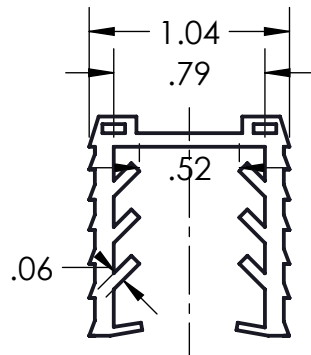
PART NO.			CGA-16019-RBL		
DESCRIPTION:					
CAP RAIL GASKET 3/4"					
MATERIAL:					
RUBBER					
DATE:	10/12/2023	SIZE:	A	SHEET:	1 / 1





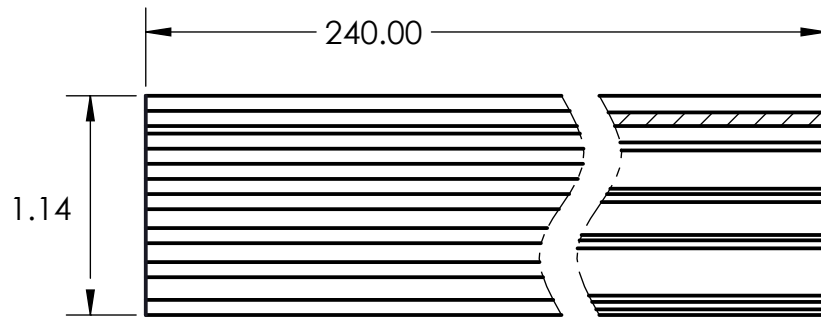
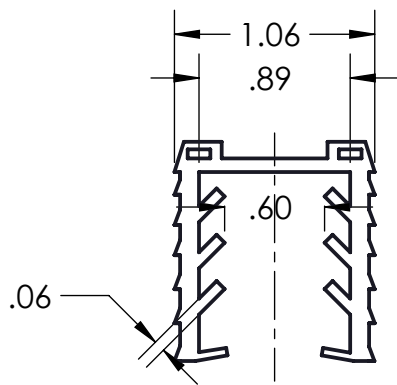
PART NO.			CGA-1620-RBL		
DESCRIPTION:					
CAP RAIL GASKET 13/16" TO 7/8"					
MATERIAL:					
RUBBER					
DATE:	10/12/2023	SIZE:	A	SHEET:	1 / 1



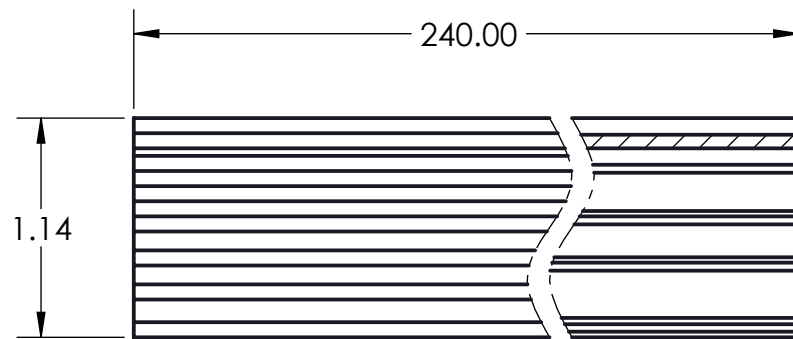
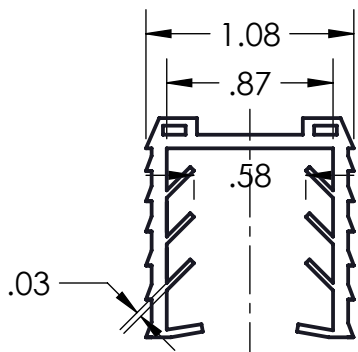
PART NO.			CGA-19011-RBL		
DESCRIPTION:					
CAP RAIL GASKET 1/2" TO 9/16"					
MATERIAL:					
RUBBER					
DATE:	10/12/2023	SIZE:	A	SHEET:	1 / 1



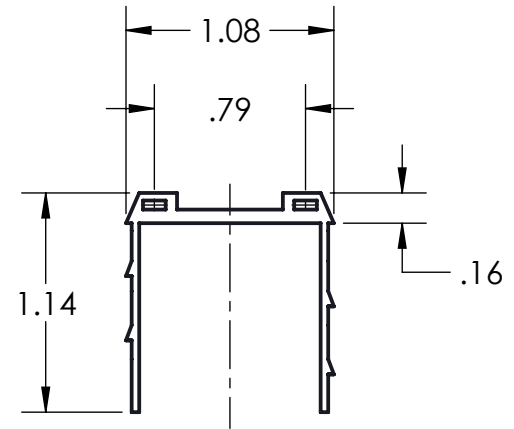
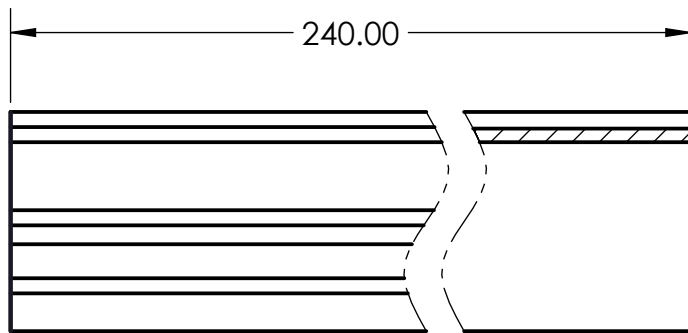
PART NO.			CGA-19016-RBL
DESCRIPTION:			CAP RAIL GASKET 3/4"
MATERIAL:			RUBBER
DATE:	SIZE:	SHEET	
10/12/2023	A	1 / 1	
			





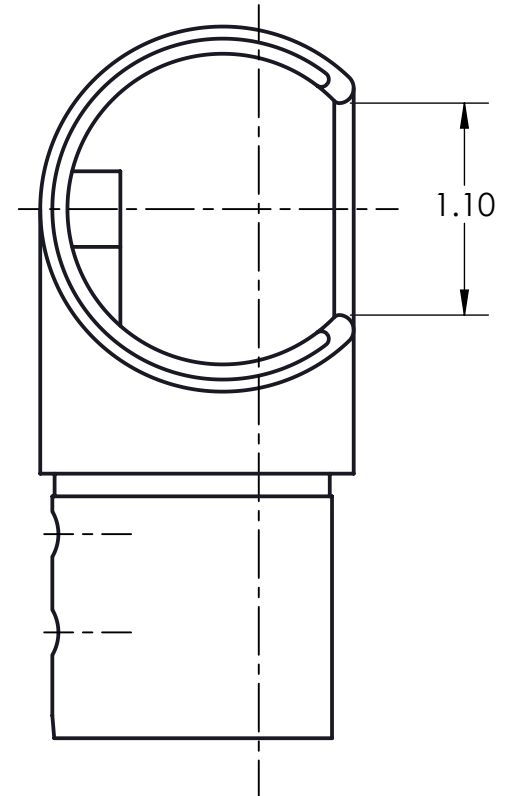
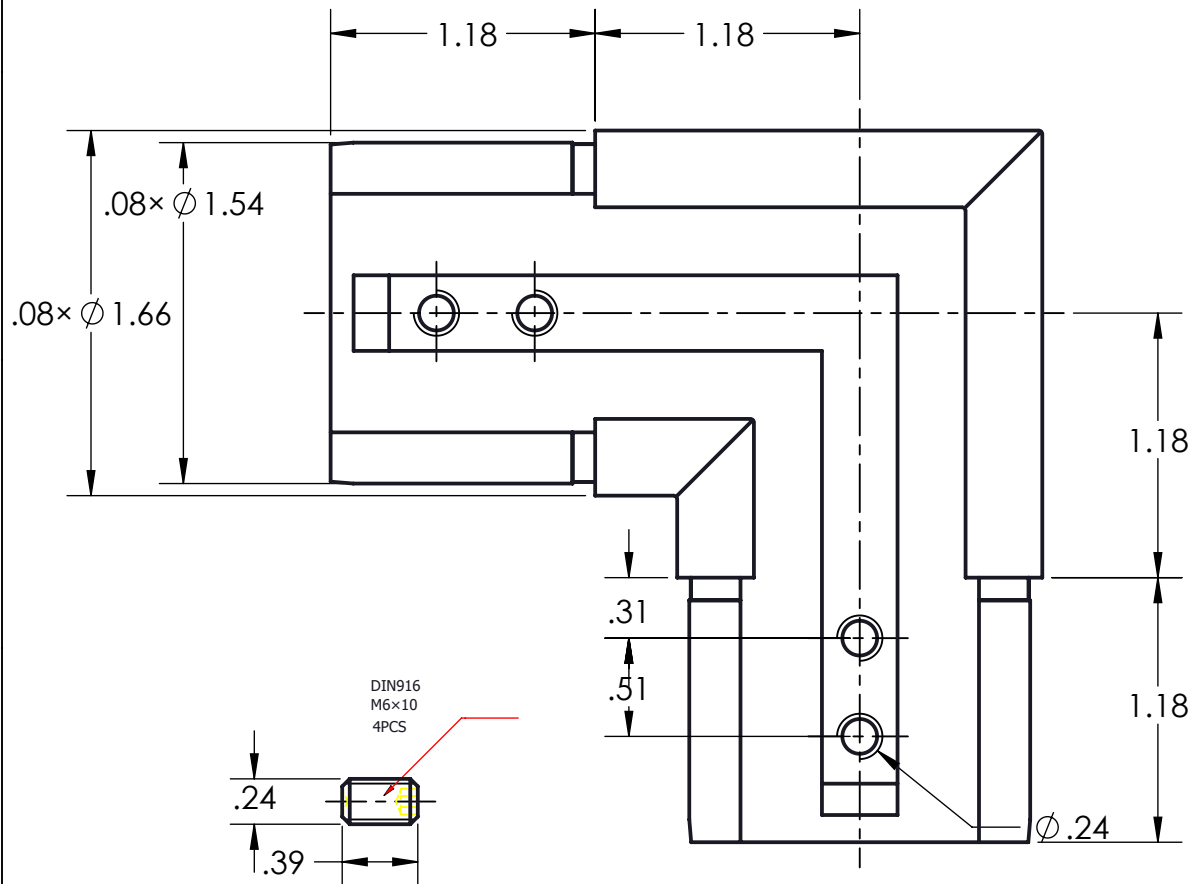
PART NO.			CGA-19019-RBL
DESCRIPTION:			CAP RAIL GASKET FOR 3/4"
MATERIAL:			RUBBER
DATE:	SIZE:	SHEET	
10/12/2023	A	1 / 1	



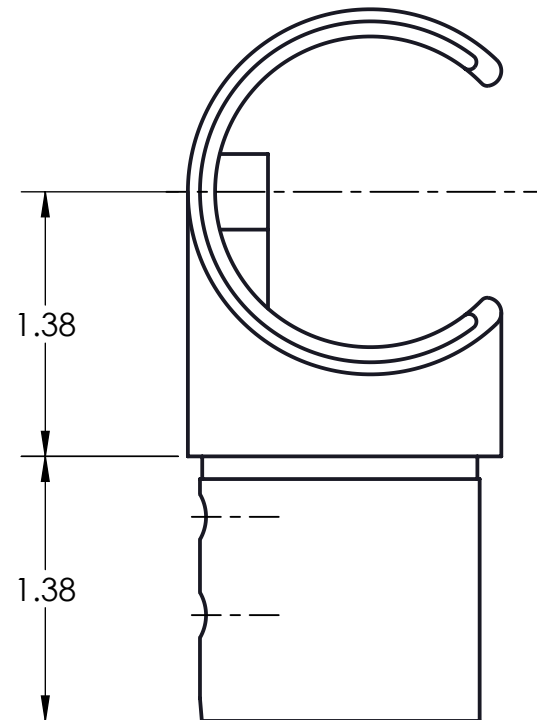
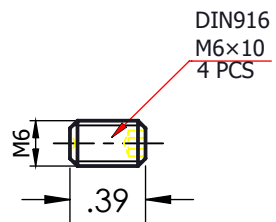
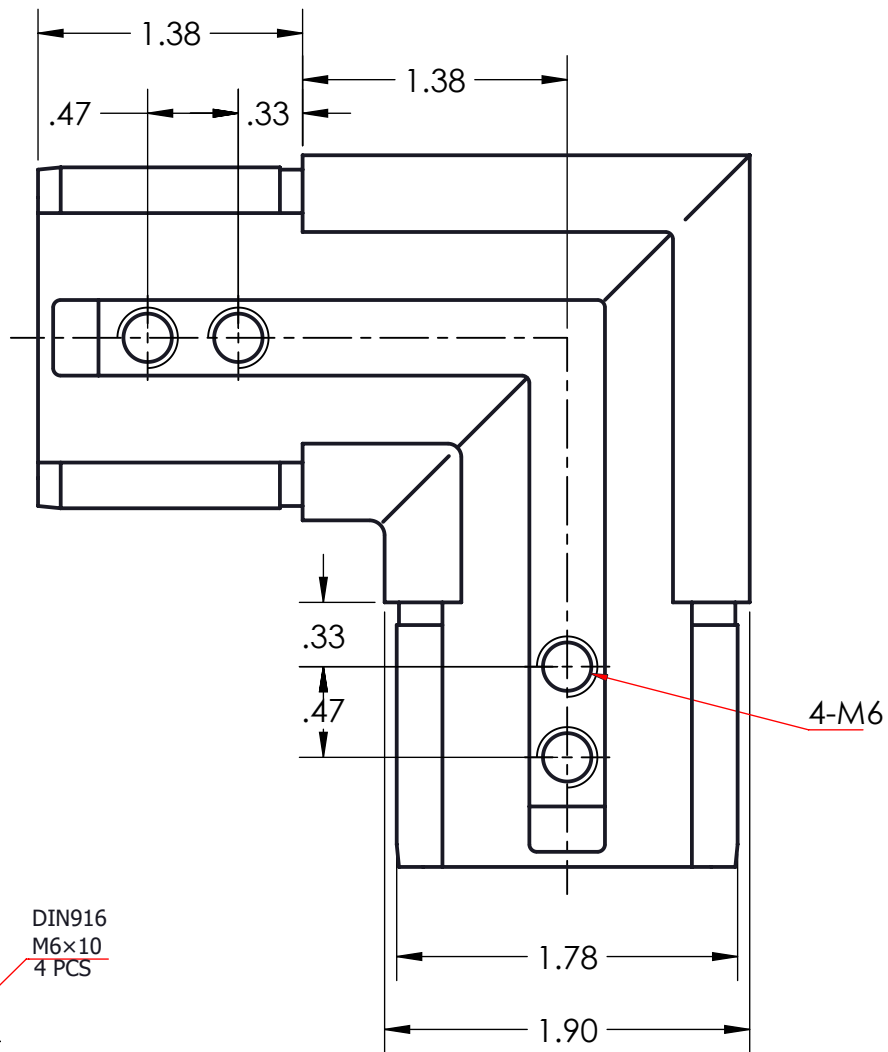
PART NO.			CGA-19020-RBL		
DESCRIPTION:					
CAP RAIL GASKET FOR 13/16" TO 7/8"					
MATERIAL:					
RUBBER					
DATE:	10/13/2023	SIZE:	A	SHEET:	1 / 1



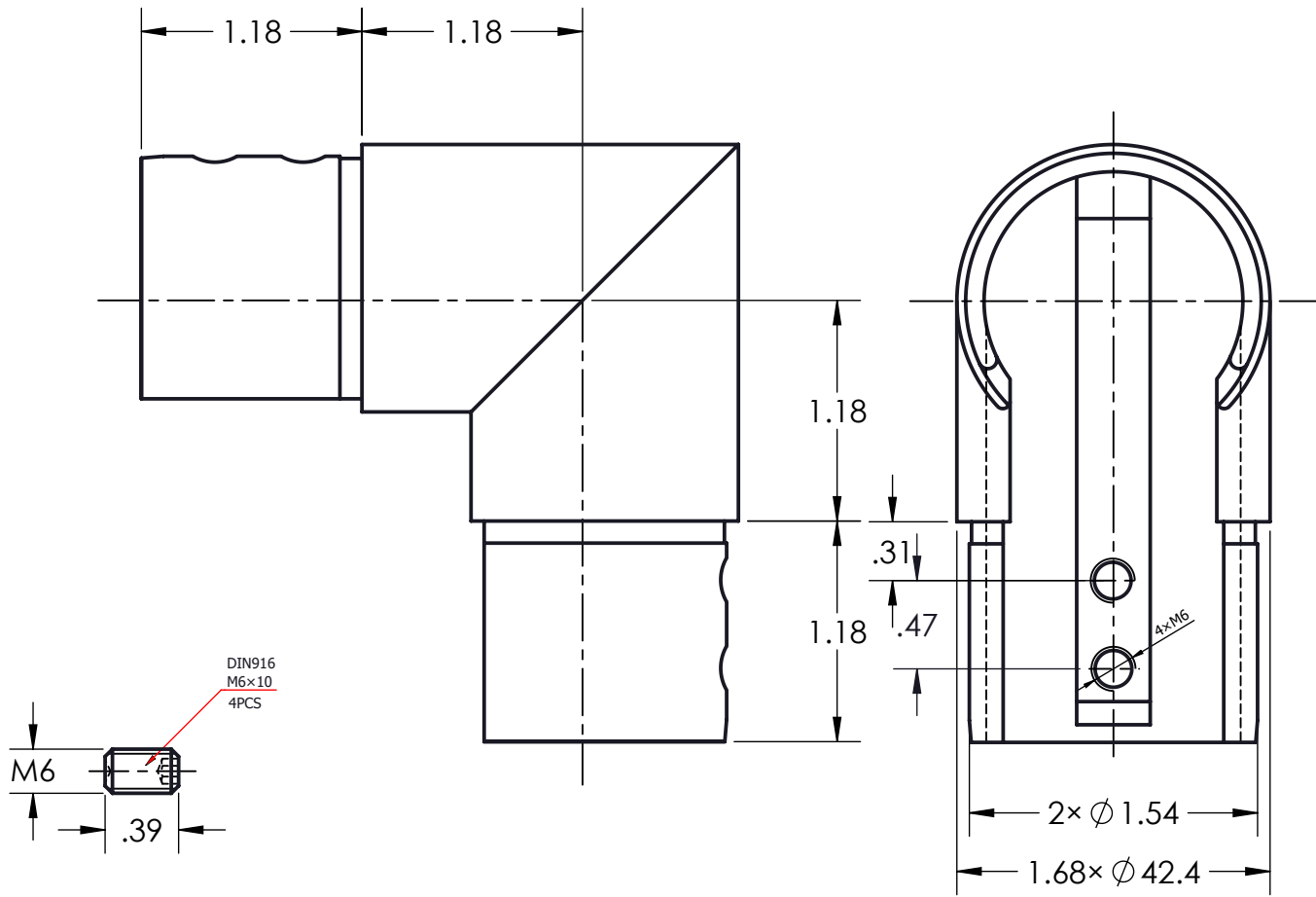
PART NO.			CGA-19024-RBL
DESCRIPTION:			CAP RAIL GASKET FOR 1"
MATERIAL:			RUBBER
DATE:	SIZE:	SHEET	
10/13/2023	A	1 / 1	
			



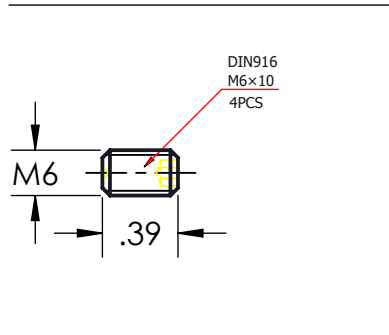
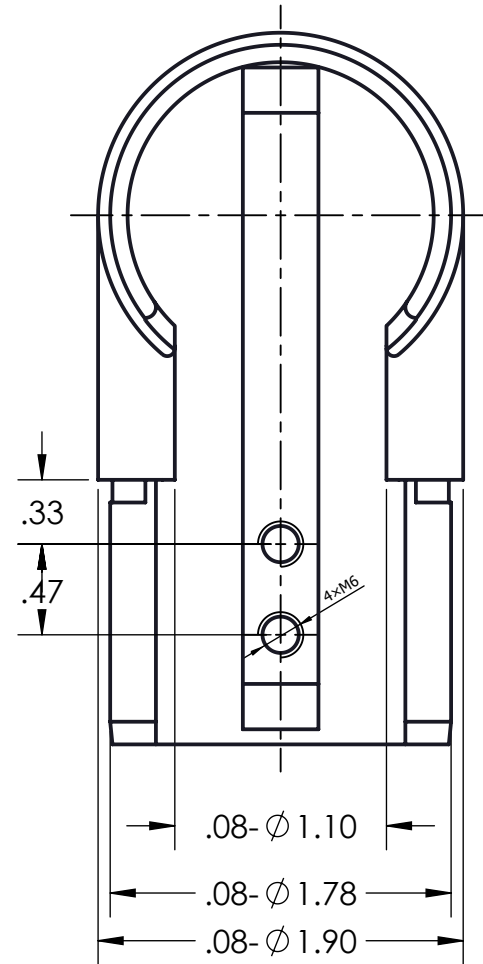
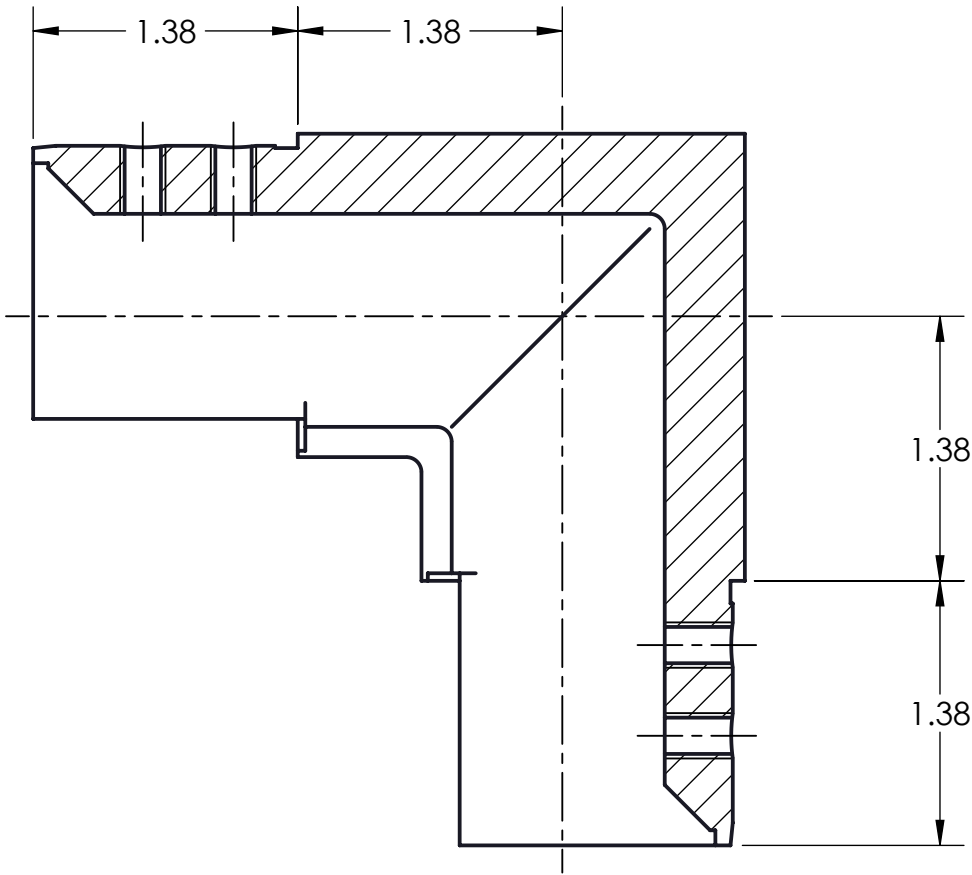
PART NO:		CRS-9H016	
DESCRIPTION:			
CAP RAIL HORIZONTAL CORNER 90° SLOTTED FOR 1.66" TUBE			
MATERIAL:			
316 STAINLESS			
DATE:	SIZE:	SHEET:	
10/13/2023	A	1 / 1	
Bohle		portals	



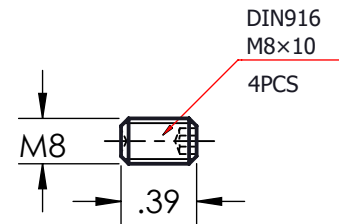
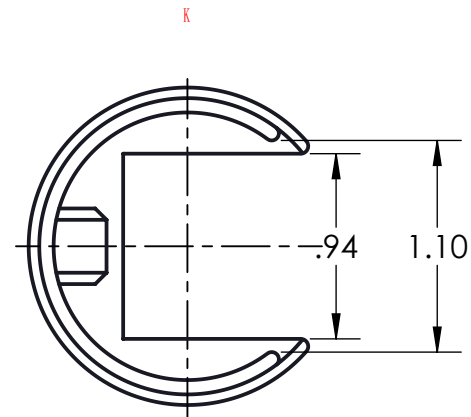
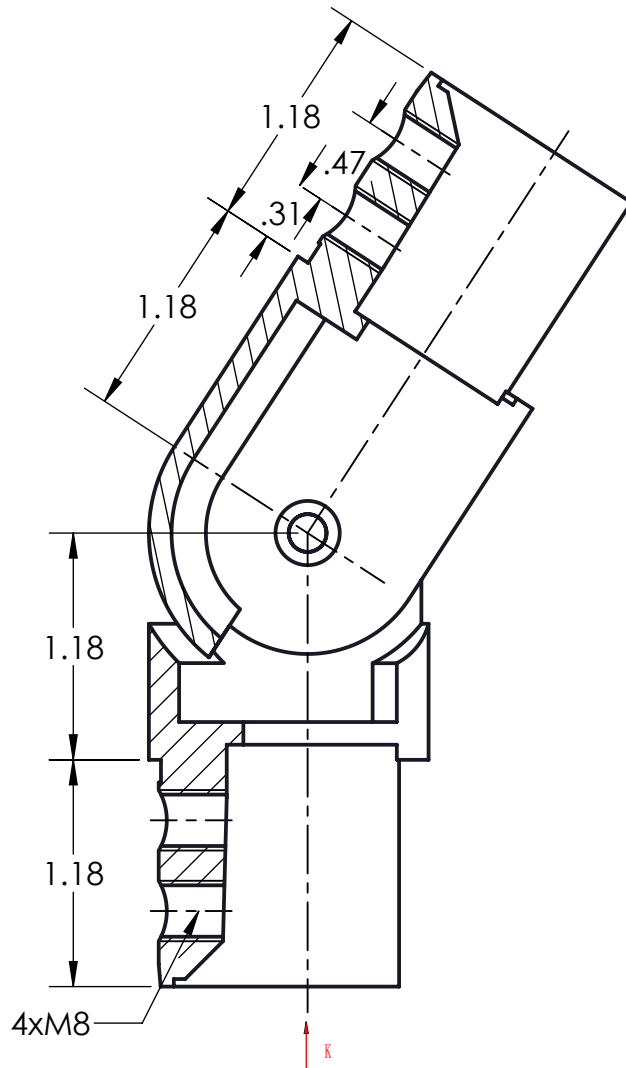
PART NO:			CRS-9H019		
DESCRIPTION:					
CAP RAIL HORIZONTAL CORNER 90° SLOTTED FOR 1.90" TUBE					
MATERIAL:					
316 STAINLESS STEEL					
DATE:	10/13/2023	SIZE:	A	SHEET:	1 / 1
Bohle			portals		



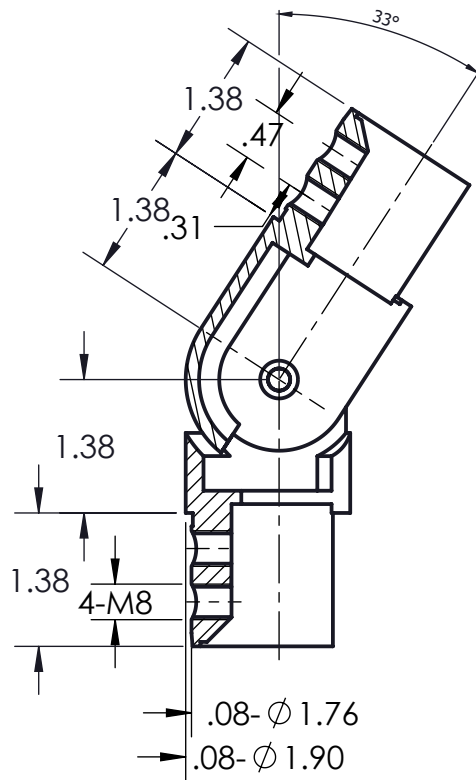
PART NO. CRS-9V016		
DESCRIPTION: CAP RAIL VERTICAL CORNER 90° SLOTTED FOR 1.66" TUBE		
MATERIAL: 316 STAINLESS STEEL		
DATE: 10/13/2023	SIZE: A	SHEET 1 / 1



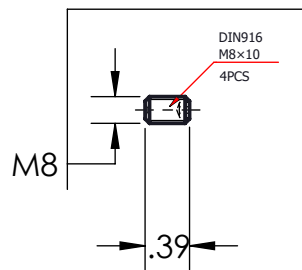
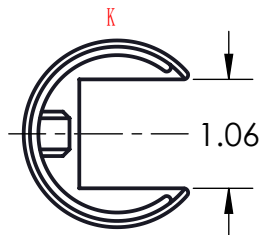
PART NO.		CRS-9V019	
DESCRIPTION:			
CAP RAIL VERTICAL CORNER 90° SLOTTED FOR 1.90" TUBE			
MATERIAL:			
316 STAINLESS STEEL			
DATE:	SIZE:	SHEET	
10/13/2023	A	1 / 1	



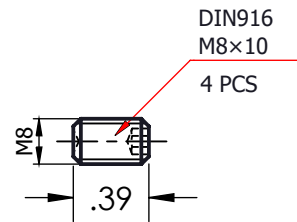
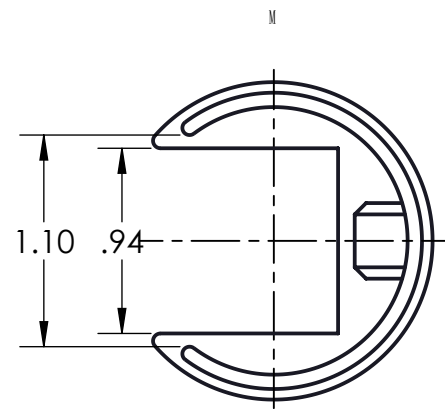
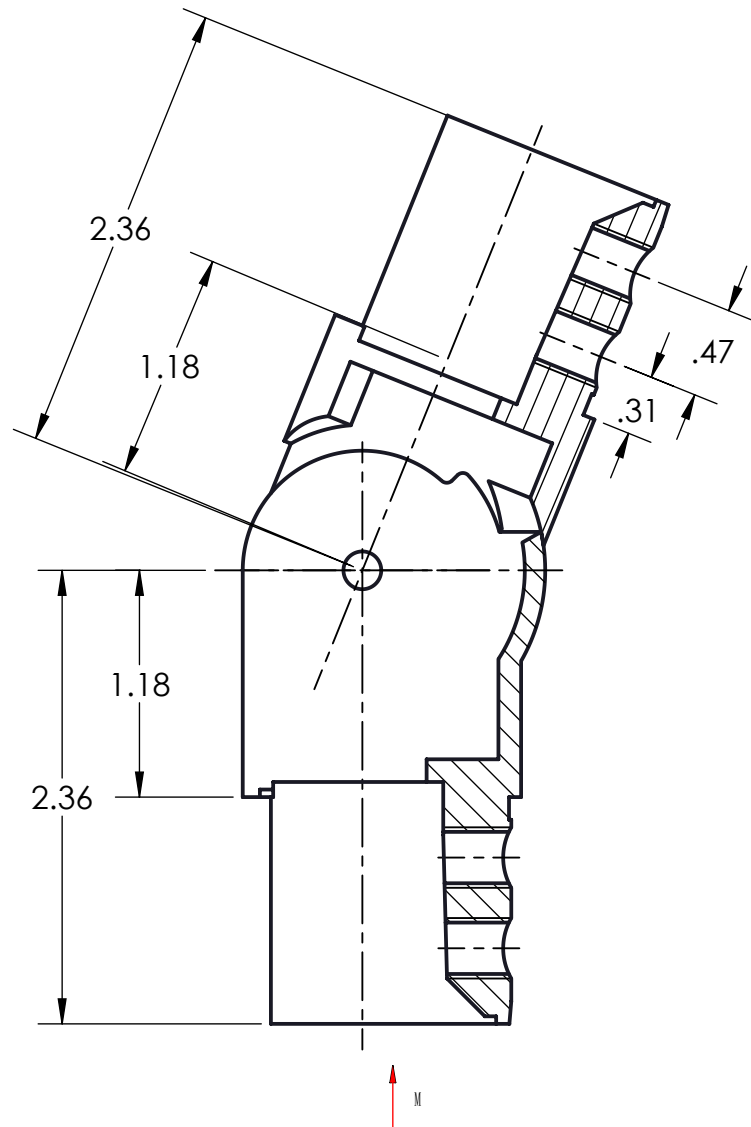
PART NO:			CRS-AD016		
DESCRIPTION:					
CAP RAIL ROUND ADJUSTABLE CORNER DOWN 1.66" O/D					
MATERIAL:					
316 STAINLESS STEEL					
DATE:	03/22/2024	SIZE:	A	SHEET:	1 / 1
Bohle			portals		



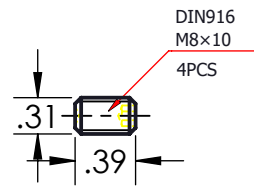
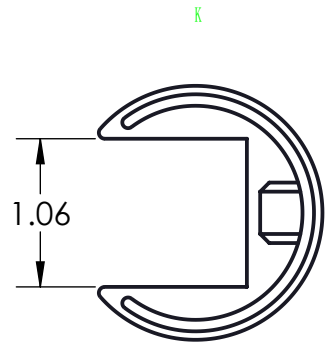
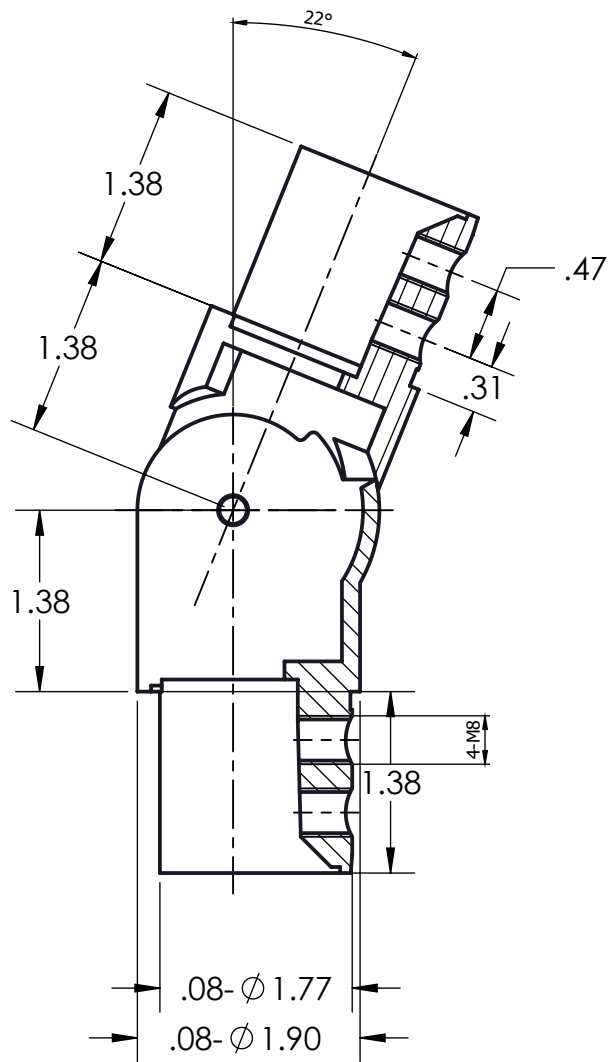
K



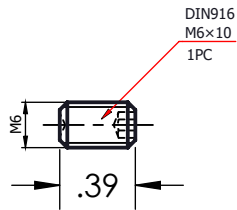
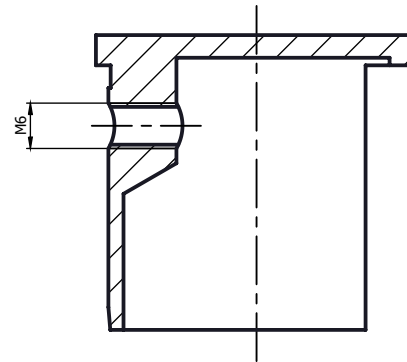
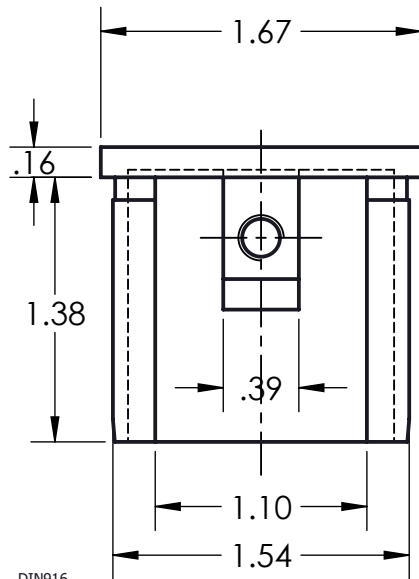
PART NO:			CRS-AD019		
DESCRIPTION:					
CAP RAIL ROUND ADJUSTABLE CORNER DOWN 1.90" O/D					
MATERIAL:					
316 STAINLESS STEEL					
DATE:	03/22/2024	SIZE:	A	SHEET:	1 / 1
Bohle			portals		



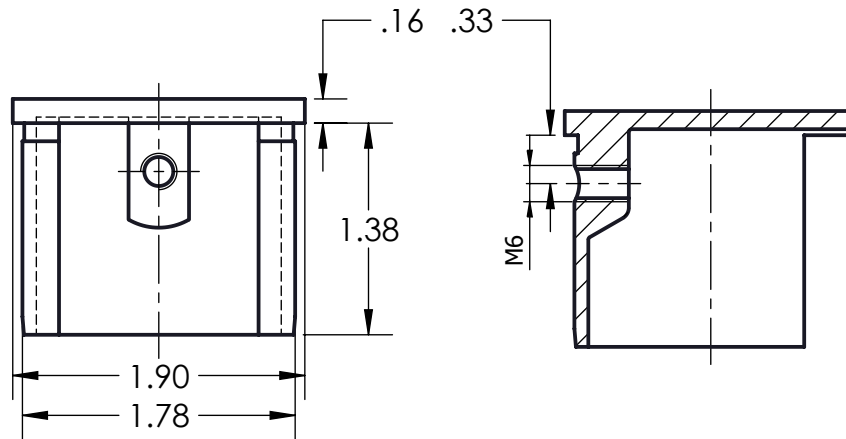
PART NO.		CRS-AU016	
DESCRIPTION:			
AP RAIL ROUND ADJUSTABLE CORNER UP 1.66" O/D			
MATERIAL:			
316 STAINLESS STEEL			
DATE:	SIZE:	SHEET	
03/22/2024	A	1 / 1	



PART NO:		CRS-AU019	
DESCRIPTION:			
CAP RAIL ROUND ADJUSTABLE CORNER UP 1.90" O/D			
MATERIAL:			
316 STAINLESS STEEL			
DATE:	03/22/2024	SIZE:	A
SHEET:			1 / 1
Bohle		portals	

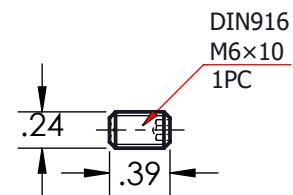
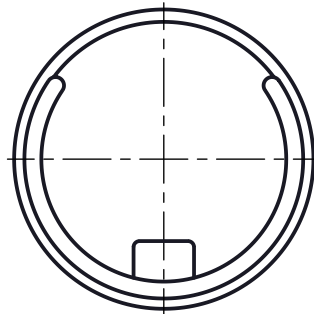


PART NO.			CRS-EC016		
DESCRIPTION:					
CAP RAIL ROUND END CAP FLAT 1.66° O/D					
MATERIAL:					
316 STAINLESS STEEL					
DATE:	03/22/2024	SIZE:	A	SHEET:	1 / 1

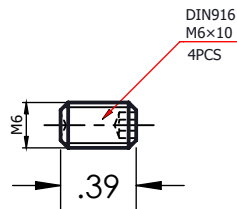
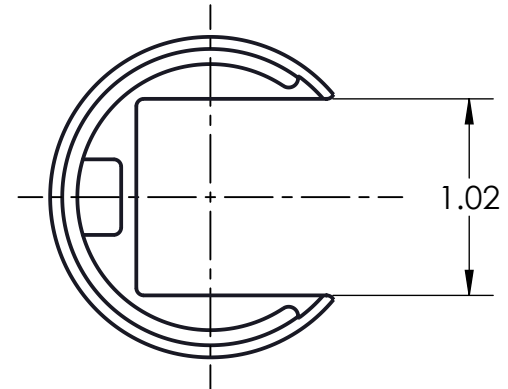
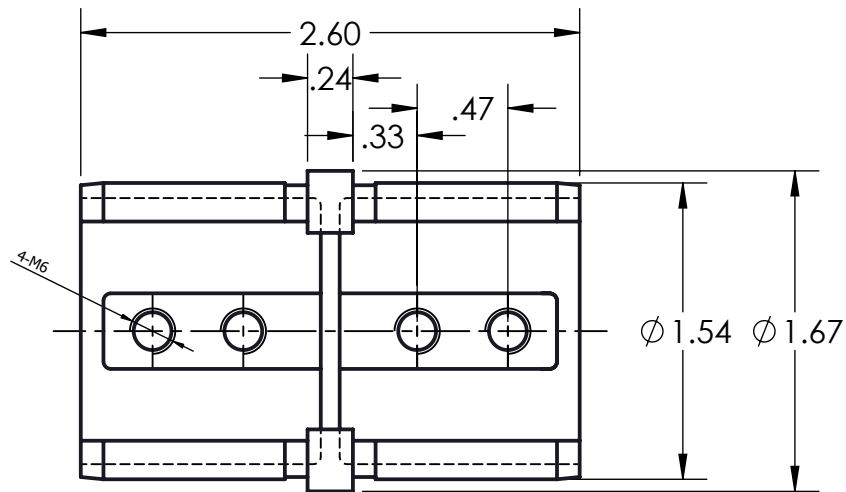


↑ K

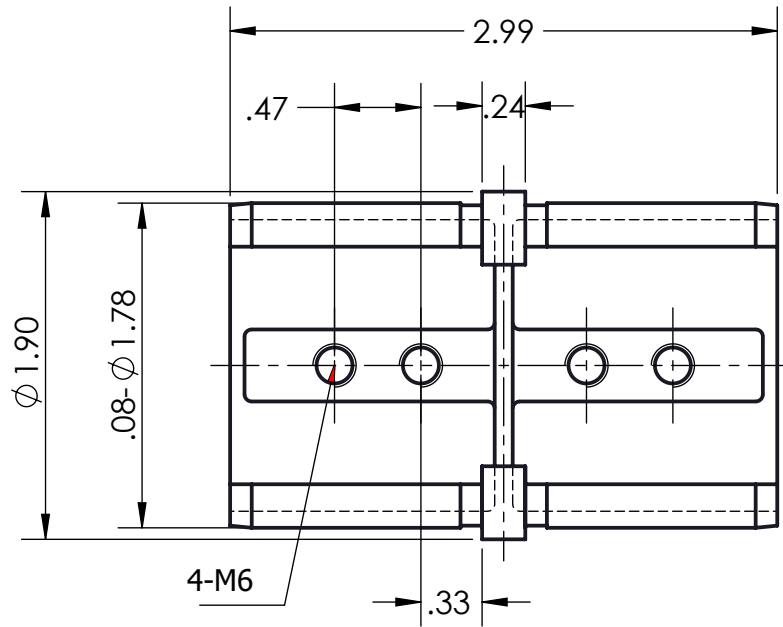
K



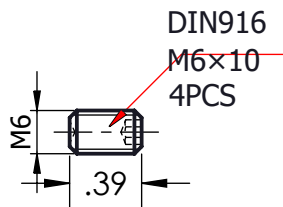
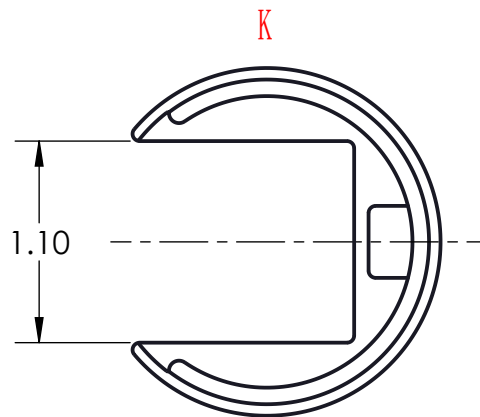
PART NO.			CRS-EC019		
DESCRIPTION:					
CAP RAIL ROUND END CAP FLAT 1.66" O/D					
MATERIAL:					
316 STAINLESS STEEL					
DATE:	03/22/2024	SIZE:	A	SHEET:	1 / 1





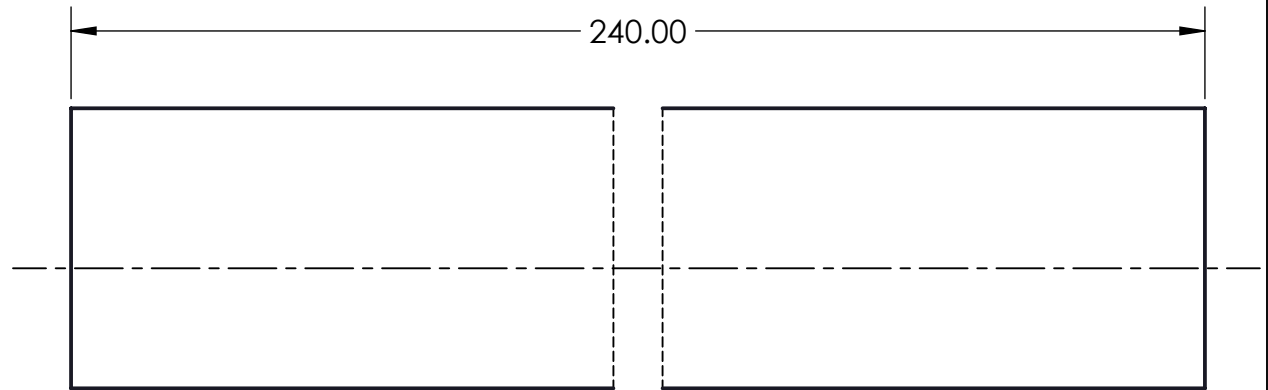
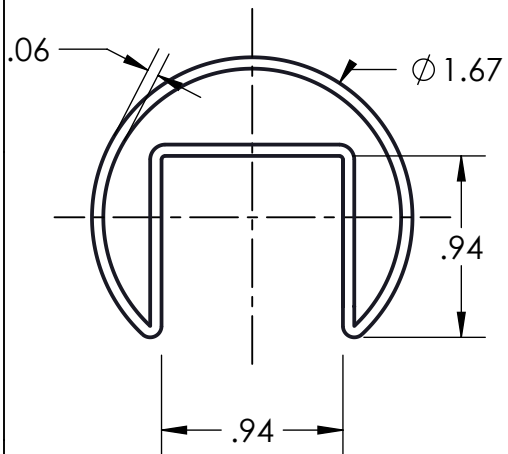
PART NO:			CRS-IN016		
DESCRIPTION:					
CAP RAIL INLINE JOINING PIECE SLOTTED FOR 1.66" TUBE					
MATERIAL:					
316 STAINLESS STEEL					
DATE:	10/13/2023	SIZE:	A	SHEET:	1 / 1



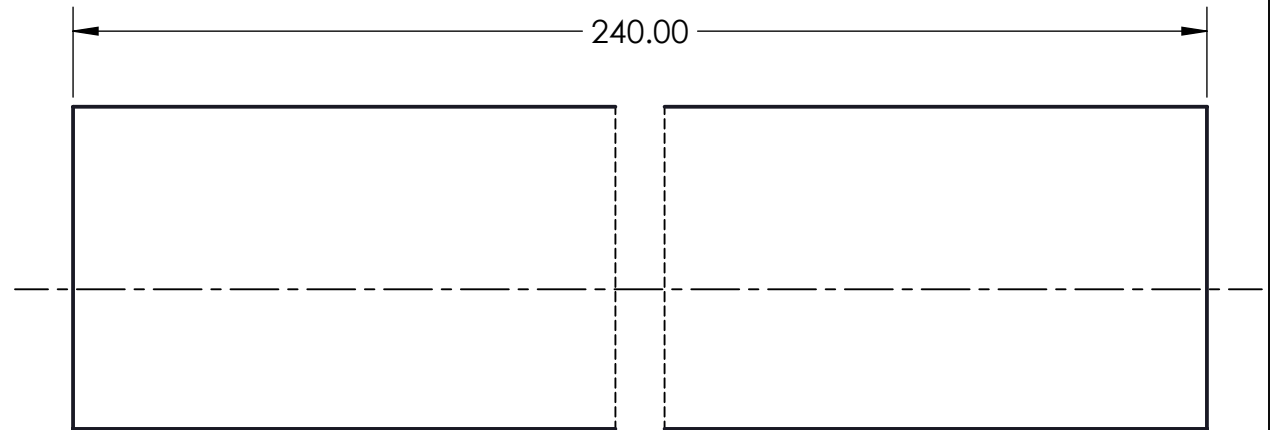
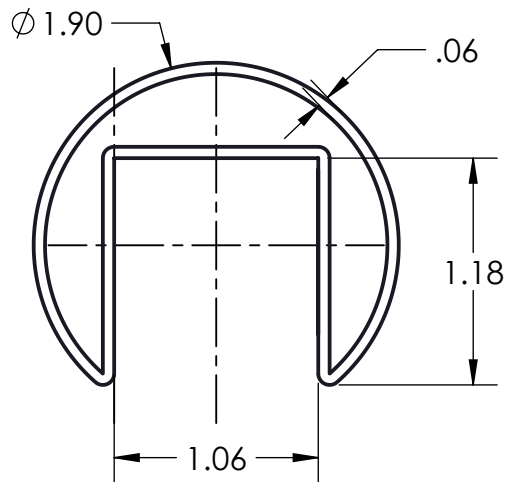
K ←





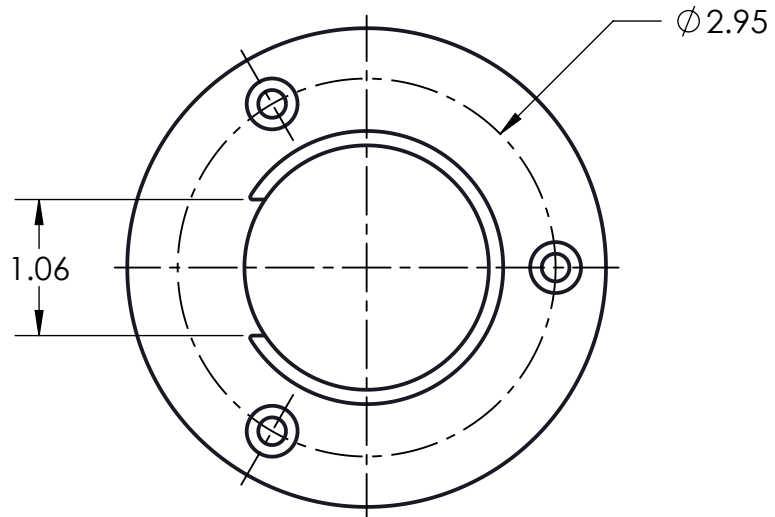
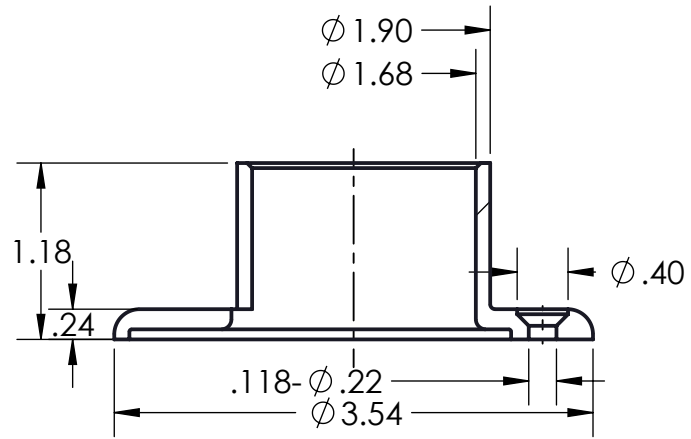
PART NO:			CRS-IN019		
DESCRIPTION:			CAP RAIL ROUND INLINE CONNECTOR 1.90" O/D		
MATERIAL:			316 STAINLESS STEEL		
DATE:	04/22/24	SIZE:	A	SHEET:	1 / 1
					



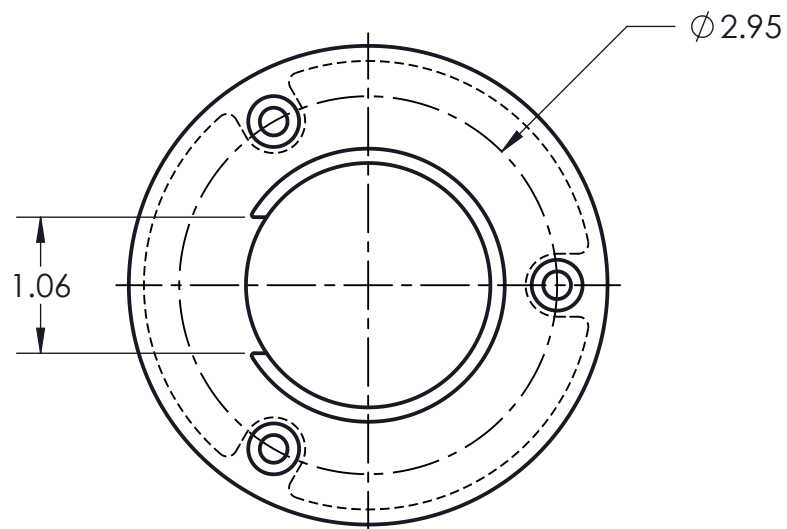
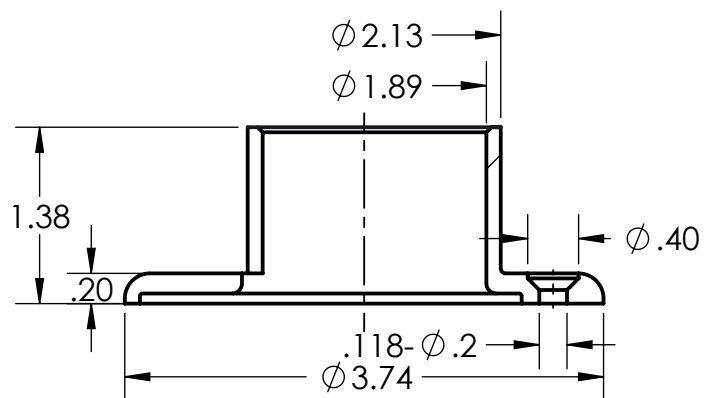
PART NO.			CRS-RS016		
DESCRIPTION:			CAP RAIL ROUND TUBE 1.66" O/D		
MATERIAL:			316 STAINLESS STEEL		
DATE:	03/26/2024	SIZE:	A	SHEET:	1 / 1





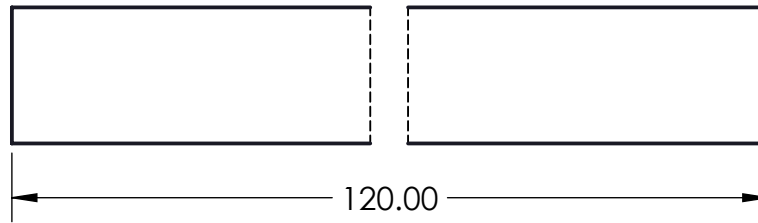
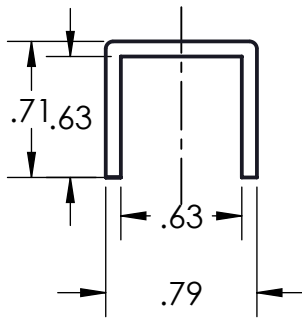
PART NO.			CRS-RS019		
DESCRIPTION:			CAP RAIL ROUND TUBE 1.90" O/D		
MATERIAL:			316 STAINLESS STEEL		
DATE:	03/26/2024	SIZE:	A	SHEET:	1 / 1
					



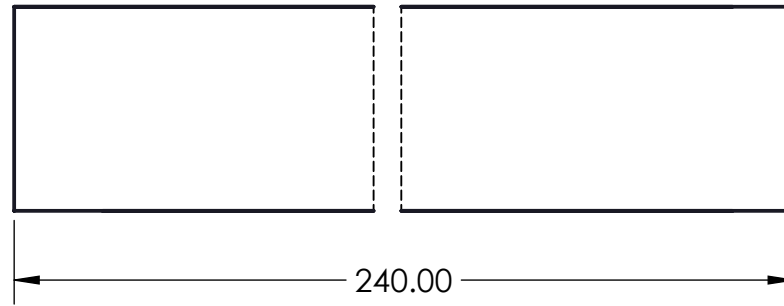
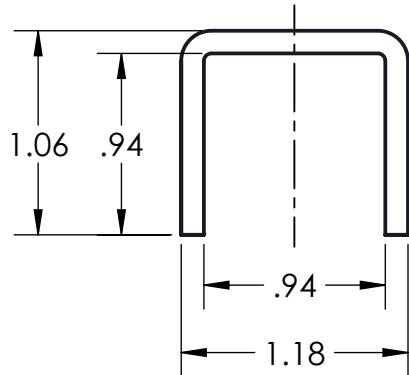
PART NO:			CRS-WP016		
DESCRIPTION:					
CAP RAIL ROUND WALL FLANGE 1.66" O/D					
MATERIAL:					
316 STAINLESS STEEL					
DATE:	03/26/2024	SIZE:	A	SHEET:	1 / 1
Bohle			portals		



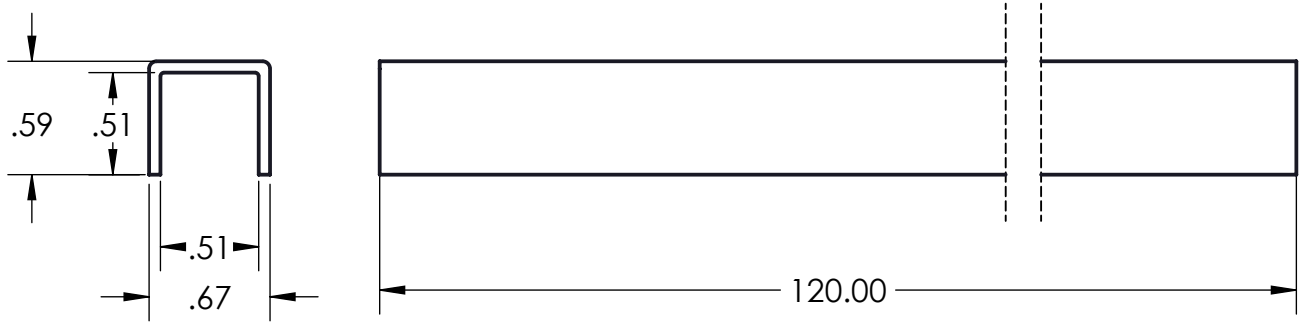
PART NO:			CRS-WP019		
DESCRIPTION:					
CAP RAIL ROUND WALL FLANGE 1.90" O/D					
MATERIAL:					
316 STAINLESS STEEL					
DATE:	03/26/2024	SIZE:	A	SHEET:	1 / 1
					





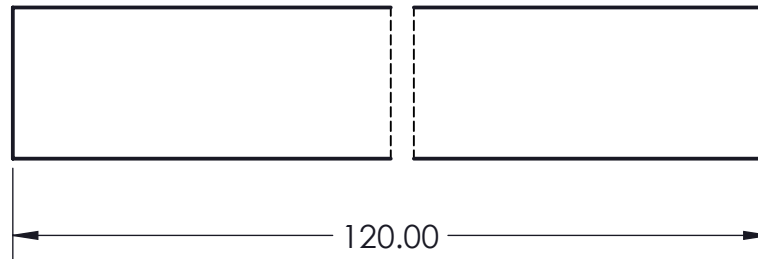
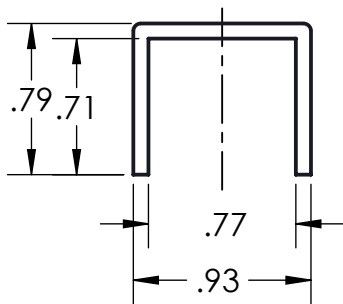
PART NO:			CUS-09120		
DESCRIPTION:					
CAP RAIL CHANNEL 9/16" GLASS GLUE ON 10'					
MATERIAL:					
316 STAINLESS STEEL					
DATE:	03/26/2024	SIZE:	A	SHEET:	1 / 1



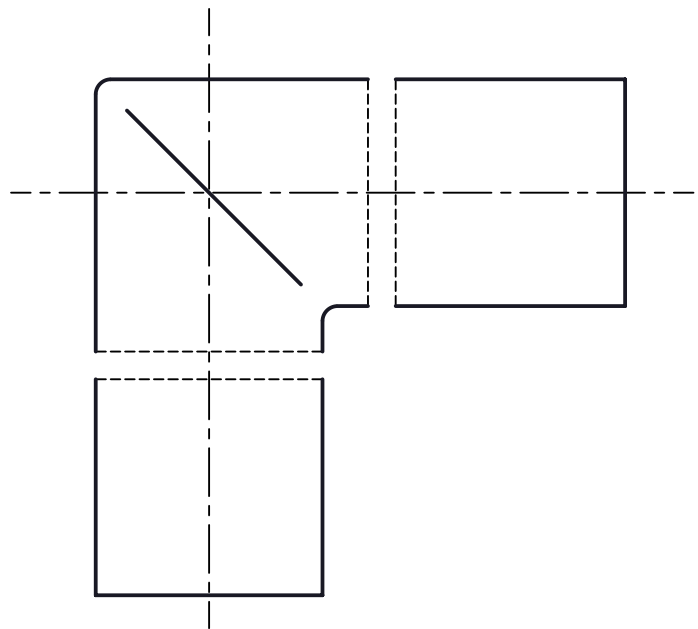
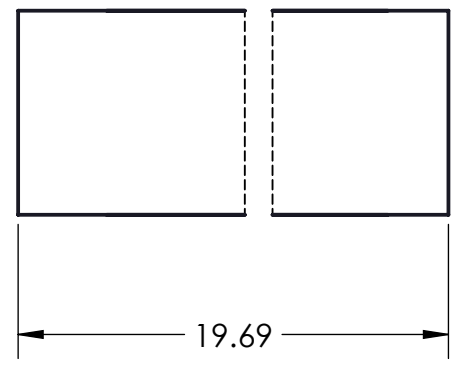
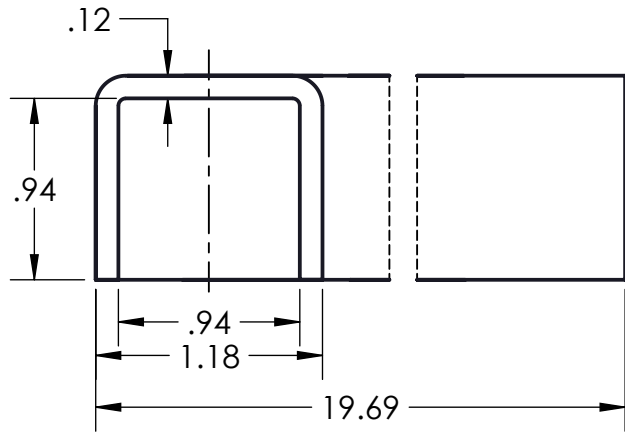
PART NO.			CUS-11901		
DESCRIPTION:					
CAP RAIL CHANNEL 1/2-13/16" GLASS GASKET REQUIRED 20'					
MATERIAL:					
316 STAINLESS STEEL					
DATE:	SIZE:	A		SHEET:	1 / 1



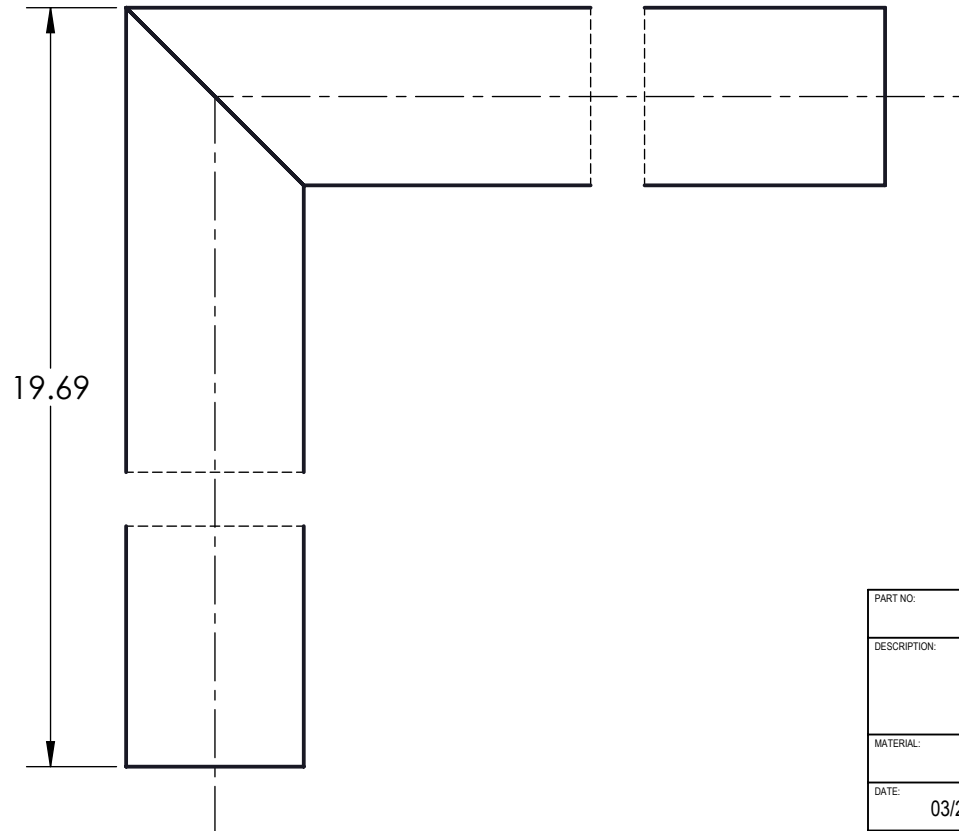
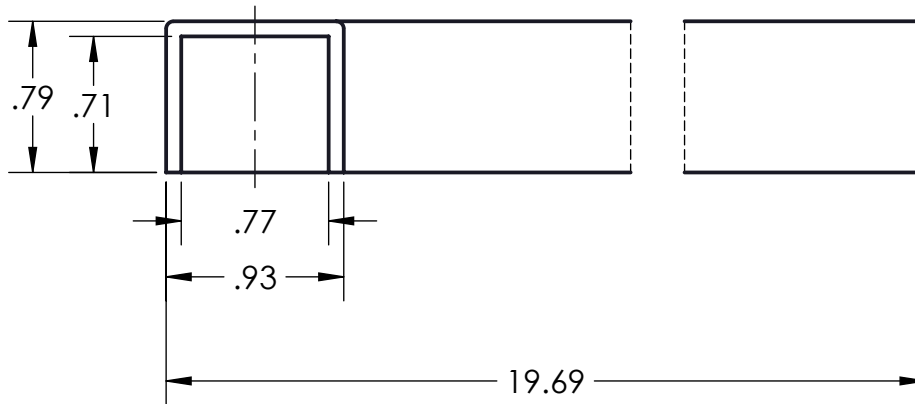
PART NO.			CUS-12120		
DESCRIPTION:					
CAP RAIL CHANNEL 1/2" GLASS GLUE ON 10'					
MATERIAL:					
316 STAINLESS STEEL					
DATE:	03/26/2024	SIZE:	A	SHEET:	1 / 1
					



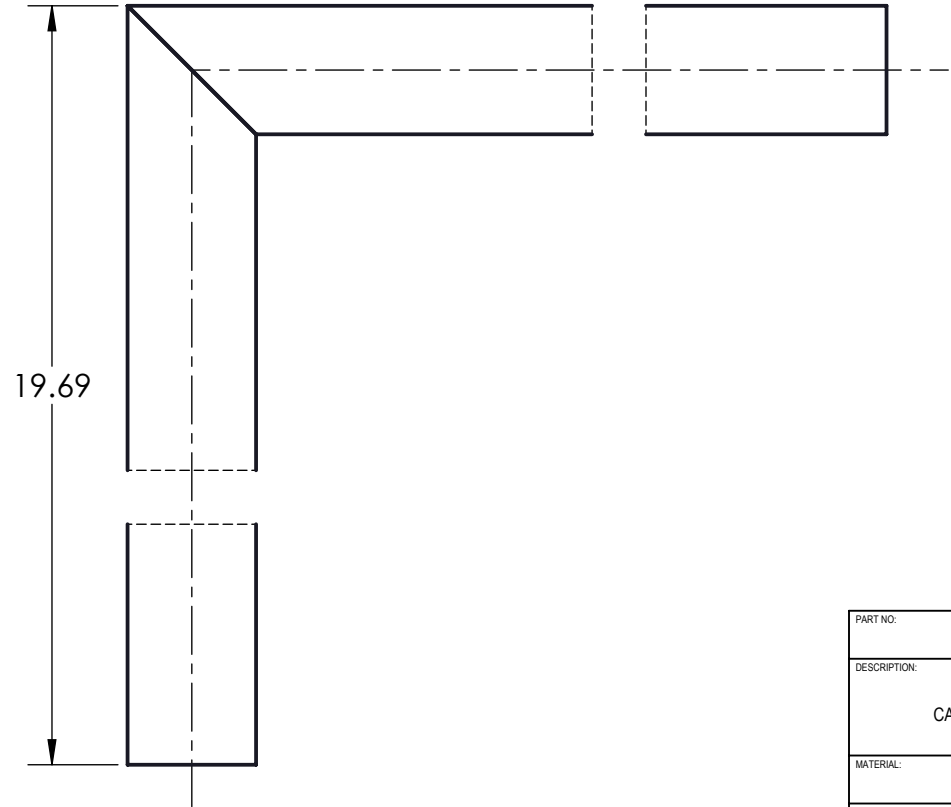
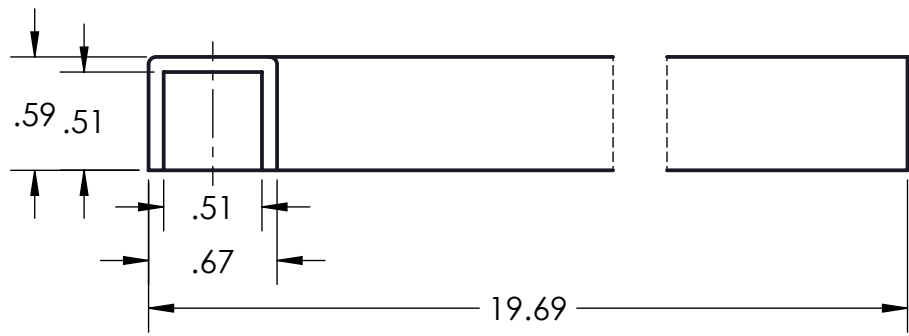
PART NO.			CUS-34120		
DESCRIPTION:					
CAP RAIL CHANNEL 3/4" GLASS GLUE ON 10'					
MATERIAL:					
03/26/2024					
DATE:	SIZE:	A		SHEET:	1 / 1



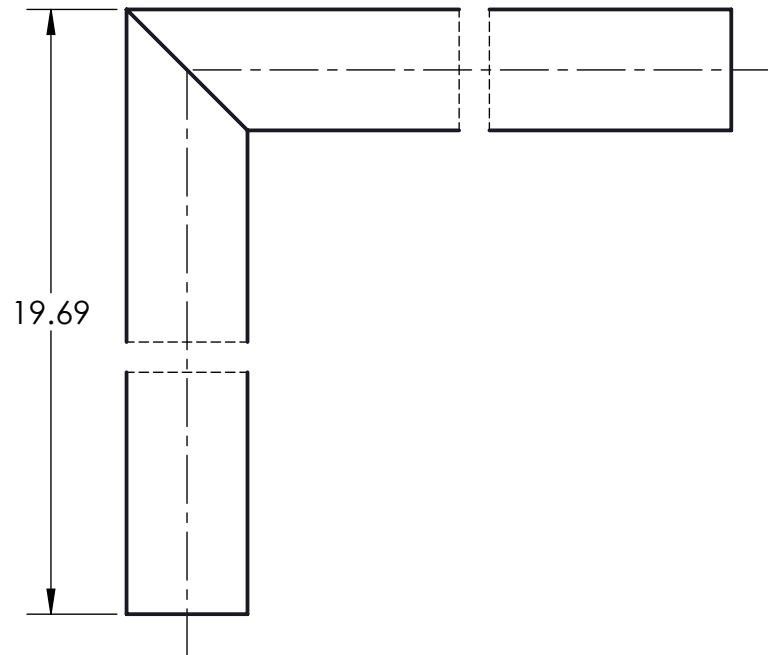
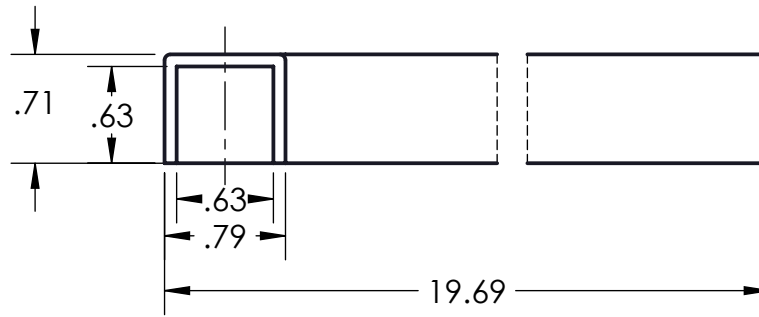
PART NO.			CUS-CR901		
DESCRIPTION:					
CAP RAIL CHANNEL 90° CORNER 1/2-13/16" GLASS					
MATERIAL:					
316 STAINLESS STEEL					
DATE:	04/22/2024	SIZE:	A	SHEET:	1 / 1





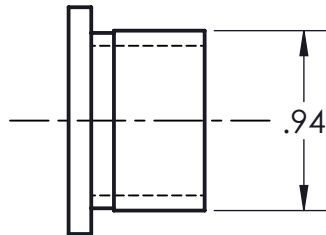
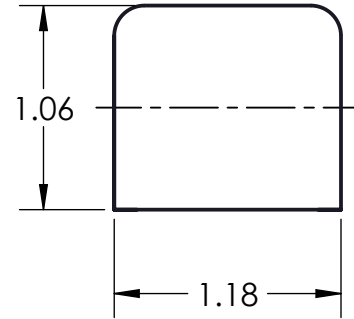
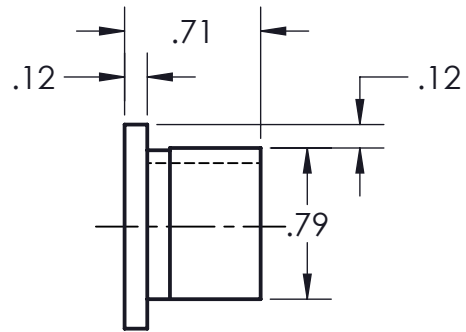
PART NO:			CUS-CR902		
DESCRIPTION:					
CAP RAIL CHANNEL 90° CORNER 3/4" GLASS					
MATERIAL:					
316 STAINLESS STEEL					
DATE:	03/26/2024	SIZE:	A	SHEET:	1 / 1



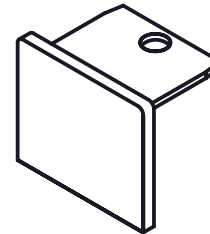
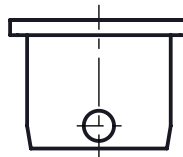
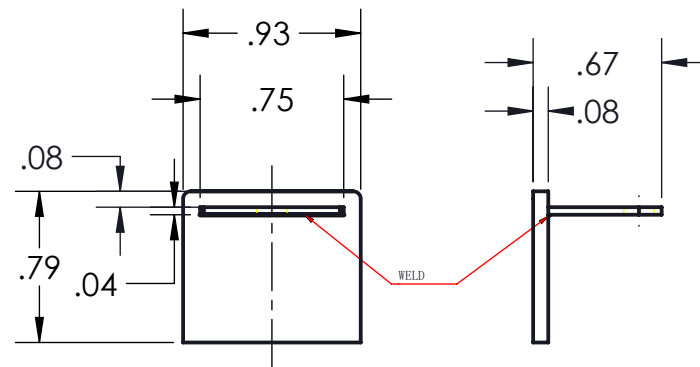
PART NO:			CUS-CR903		
DESCRIPTION:					
CAP RAIL CHANNEL 90° CORNER 1/2" GLASS - GLUE ON					
MATERIAL:					
316 STAINLESS STEEL					
DATE:	04/22/2024	SIZE:	A	SHEET:	1 / 1



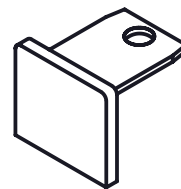
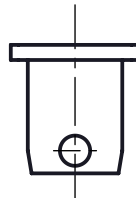
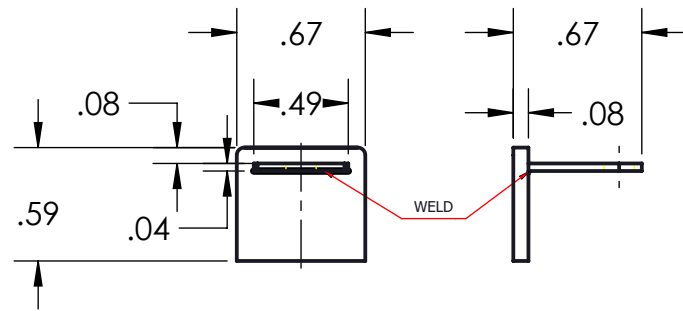
PART NO.			CUS-CR904		
DESCRIPTION:					
CAP RAIL CHANNEL 90° CORNER 9/16" GLASS - GLUE ON					
MATERIAL:					
316 STAINLESS STEEL					
DATE:	03/27/2024	SIZE:	A	SHEET:	1 / 1
					



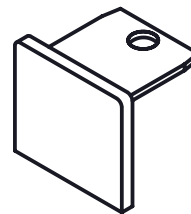
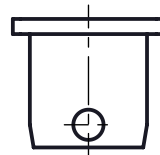
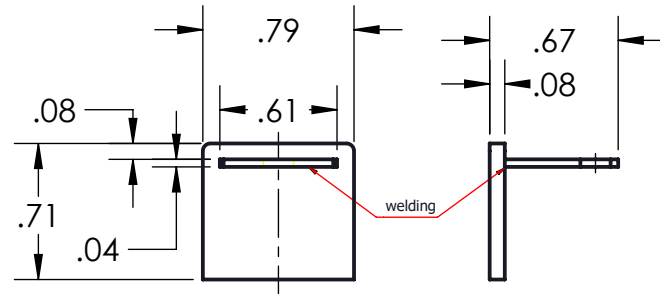
PART NO.			CUS-EC901		
DESCRIPTION:					
CAP RAIL CHANNEL END CAP FLAT 1/2-13/16" GLASS - GASKET REQUIRED					
MATERIAL:					
316 STAINLESS STEEL					
DATE:	03/27/2024	SIZE:	A	SHEET:	1 / 1



PART NO:			CUS-EC902		
DESCRIPTION:					
CAP RAIL CHANNEL END CAP FLAT 3/4" GLASS - GLUE ON					
MATERIAL:					
316 STAINLESS STEEL					
DATE:	03/27/204	SIZE:	A	SHEET:	1 / 1



PART NO:			CUS-EC903		
DESCRIPTION:					
CAP RAIL CHANNEL END CAP FLAT 1/2" GLASS - GLUE ON					
MATERIAL:					
316 STAINLESS STEEL					
DATE:	03/27/2024	SIZE:	A	SHEET:	1 / 1



PART NO:			CUS-EC904		
DESCRIPTION:					
CAP RAIL CHANNEL END CAP FLAT 9/16" GLASS - GLUE ON					
MATERIAL:					
316 STAINLESS STEEL					
DATE:	03/27/2024	SIZE:	A	SHEET:	1 / 1