

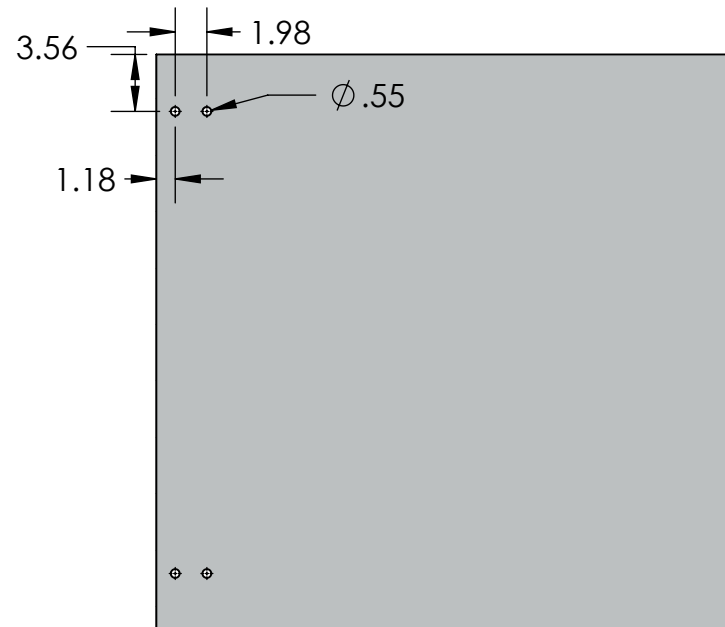
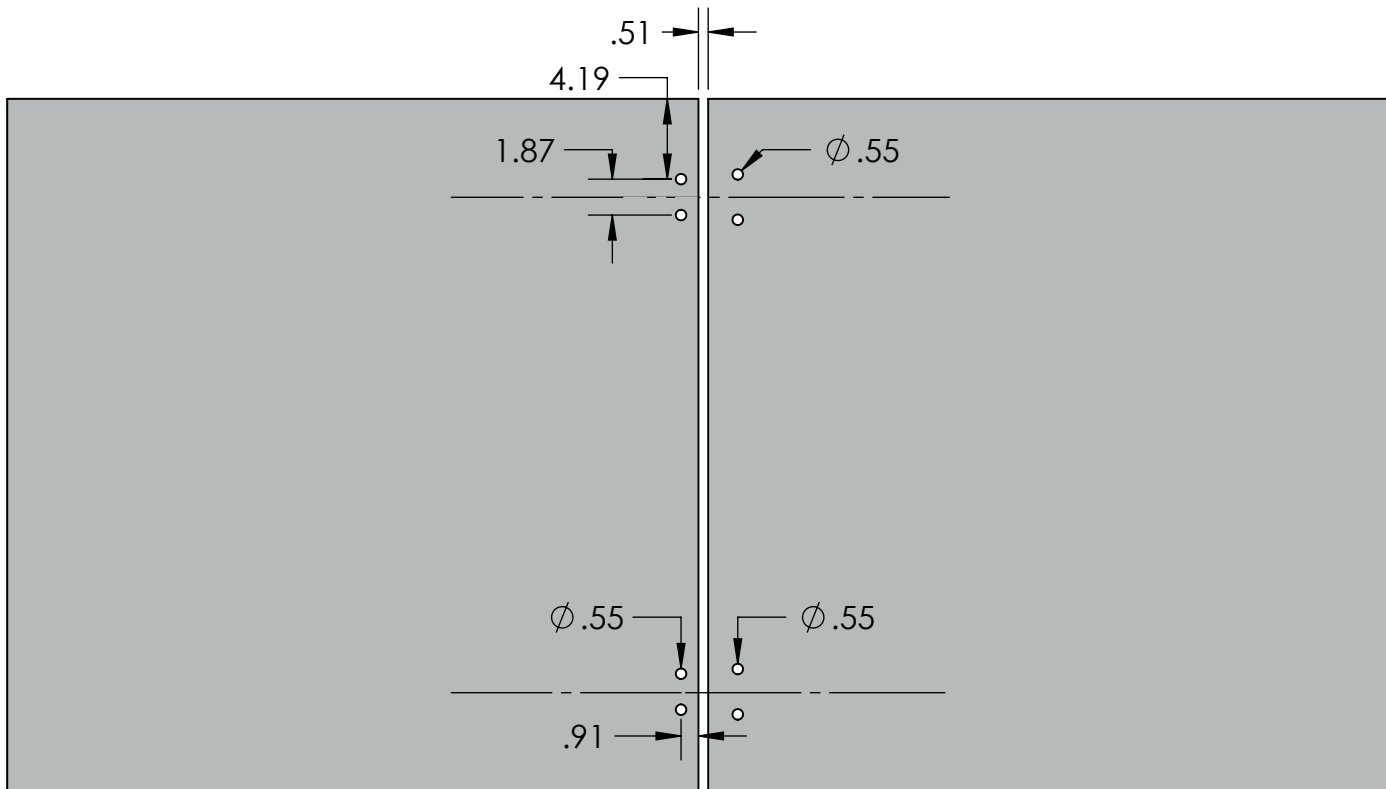


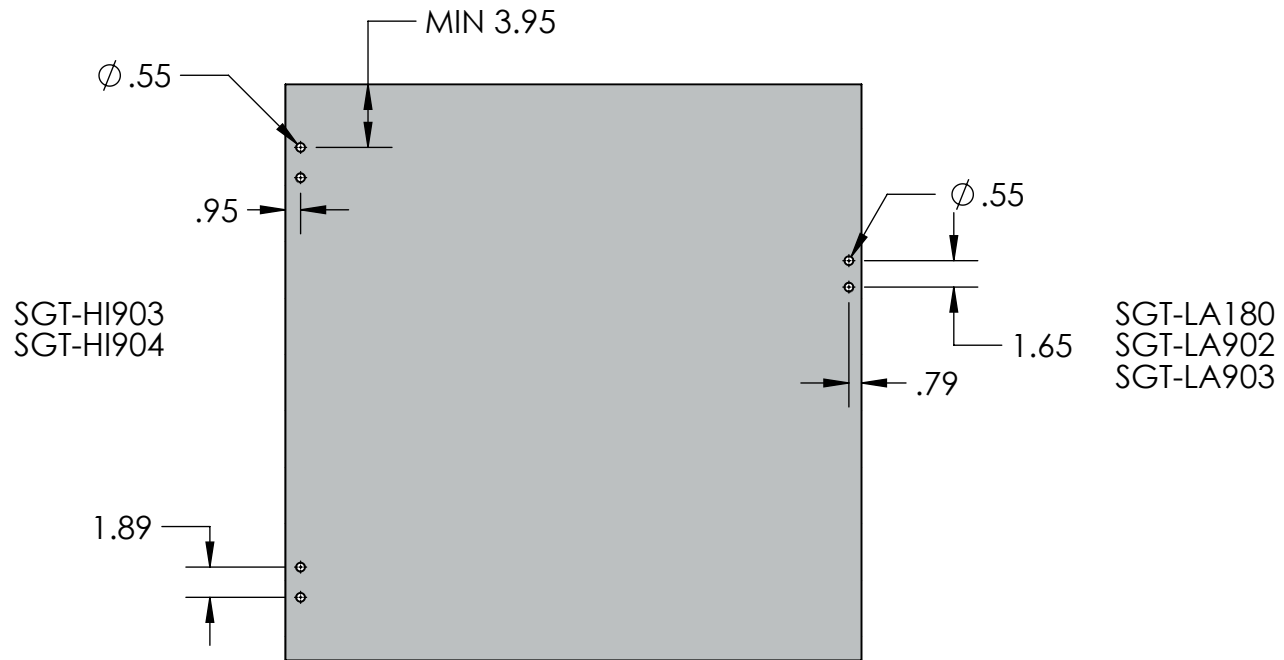
PART NO.			POST CLAMP SECURITY PIN		
DESCRIPTION:					
GLASS PROCESSING FOR GLASS CLAMP SECURITY PIN PAC-SP901					
MATERIAL:					
N/A					
DATE:	04/23/2024	SIZE:	A	SHEET:	1 / 1
					



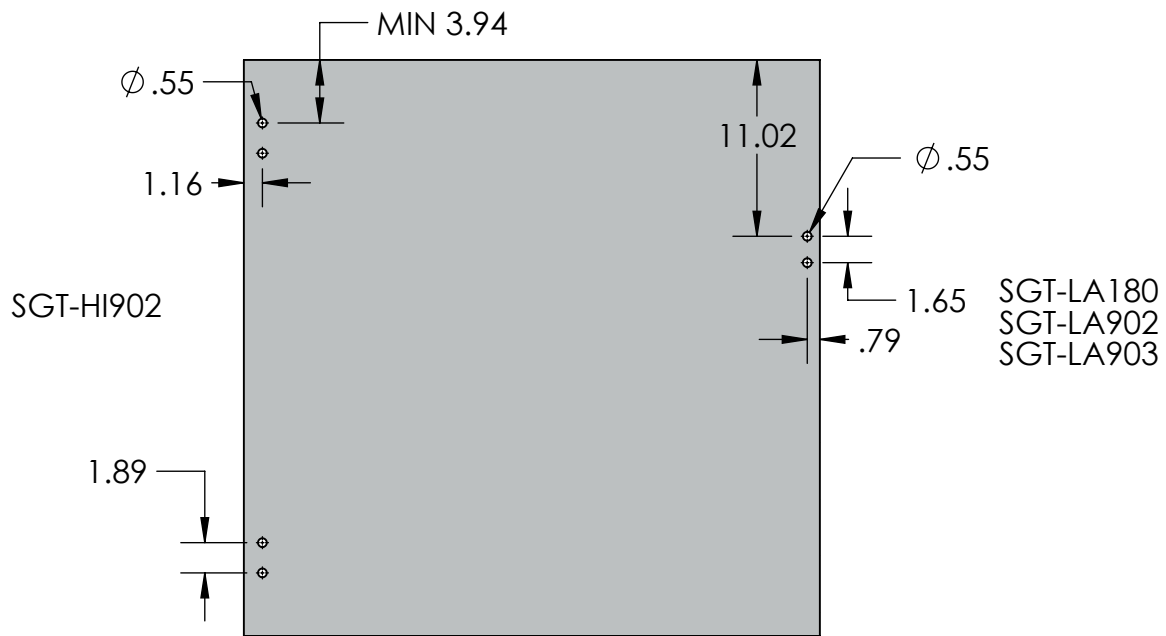
PART NO.			SGC-NA901 CUTOUT		
DESCRIPTION:					
GLASS PROCESSING FOR WALL CLAMP SGC-NA901					
MATERIAL:					
N/A					
DATE:	04/23/2024	SIZE:	A	SHEET:	1 / 1



PART NO:			SGT-HI901 CUTOUT		
DESCRIPTION:					
GLASS PROCESSING FOR SGT-HI901 SECURITY HINGE					
MATERIAL:					
N/A					
DATE:	04/23/2024	SIZE:	A	SHEET:	1 / 1



PART NO:			SPRING HINGE CUTOUT		
DESCRIPTION:					
GLASS PROCESSING FOR SGT-HI903, SGT-HI904 AND LOCKS					
MATERIAL:					
N/A					
DATE:	04/23/2024	SIZE:	A	SHEET:	1 / 1



PART NO:			SGT-LA180		
DESCRIPTION:			SGT-LA902		
MATERIAL:			SGT-LA903		
DATE:			N/A		
04/23/2024		SIZE:		A	
		SHEET:		1 / 1	
Bohle			portals		