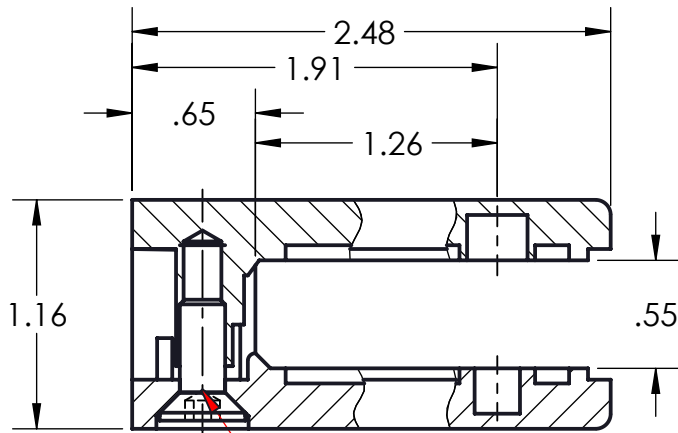
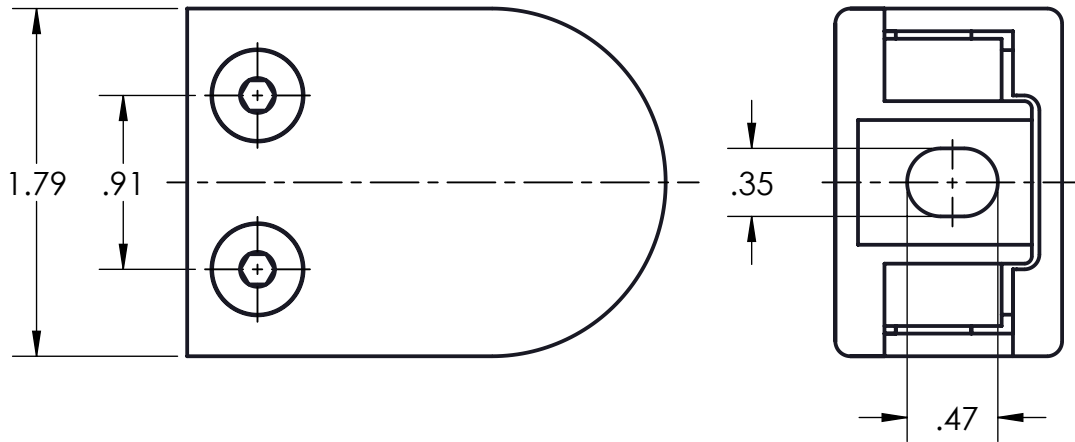


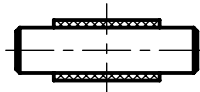
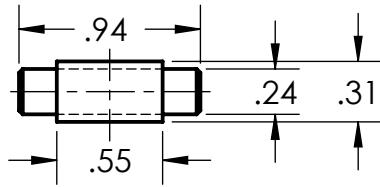
DIN7991
M6×16
2pcs

PART NO.			PAC-GC901		
DESCRIPTION:					
POST ROUND BACK CLAMP 1.90" POST FOR 3/8"-9/16" GLASS					
MATERIAL:					
316 STAINLESS STEEL					
DATE:	03/01/2024	SIZE:	A	SHEET:	1 / 1

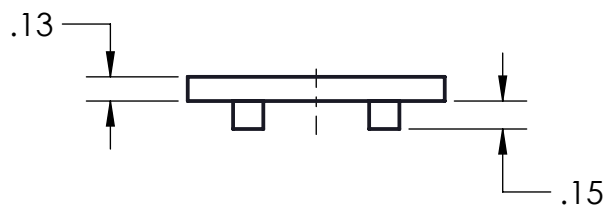
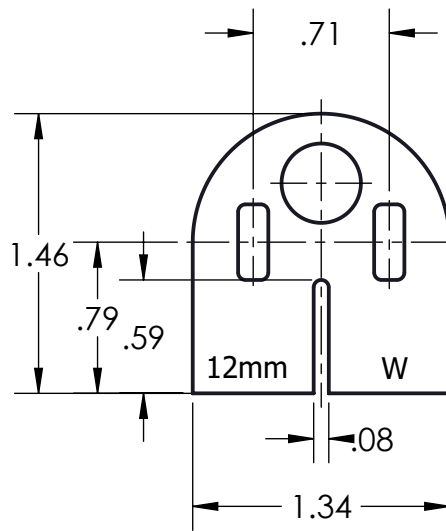




DIN7991
M6×16
2pcs

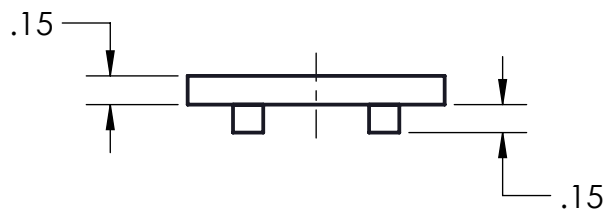
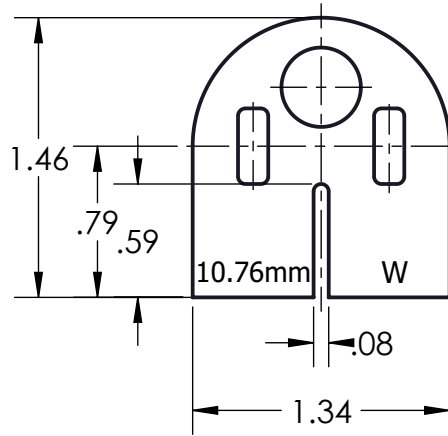
PART NO.			PAC-GC902		
DESCRIPTION:					
POST FLAT BACK CLAMP GLASS TO SQUARE POST OR WALL FOR 3/8"-9/16" GLASS					
MATERIAL:					
316 STAINLESS STEEL					
DATE:	03/01/2024	SIZE:	A	SHEET:	1 / 1



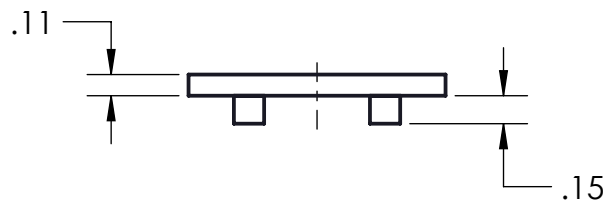
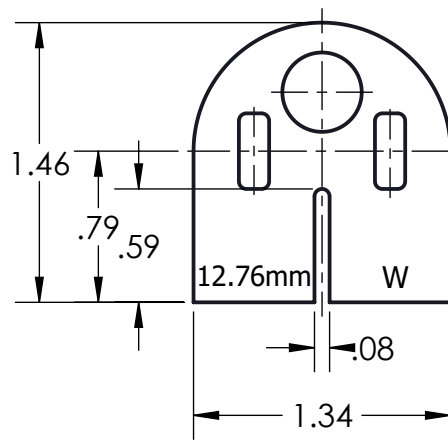
PART NO.			PAC-SP901		
DESCRIPTION:					
POST GLASS CLAMP SECURITY PIN STAINLESS STEEL					
MATERIAL:					
316 STAINLESS STEEL					
DATE:	03/01/2024	SIZE:	A	SHEET:	1 / 1



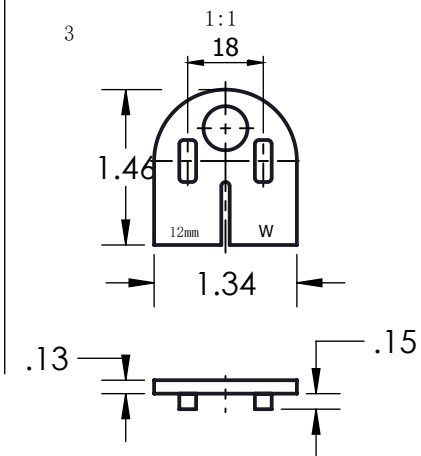
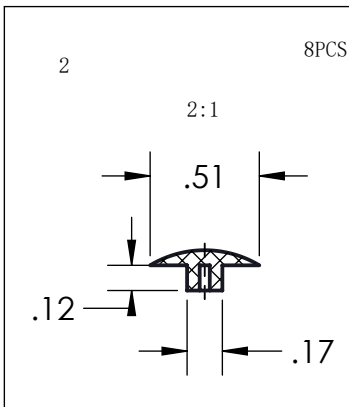
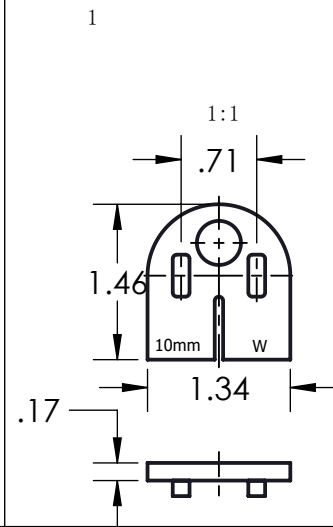
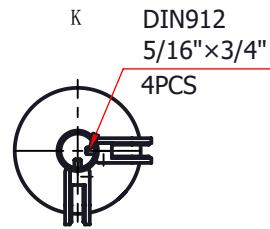
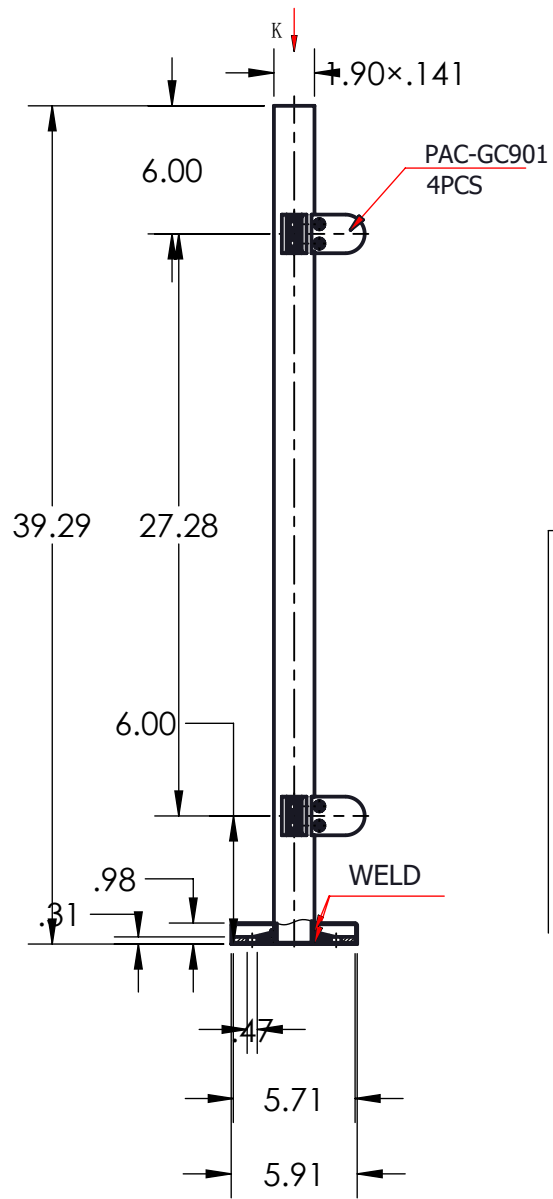
PART NO.			PAC-CG012		
DESCRIPTION:					
POST CLAMP GASKET FOR 1/2" GLASS					
MATERIAL:					
BLACK RUBBER					
DATE:	02/29/2024	SIZE:	A	SHEET:	1 / 1
					



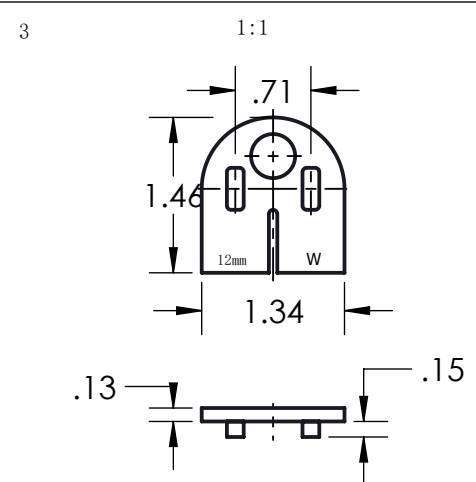
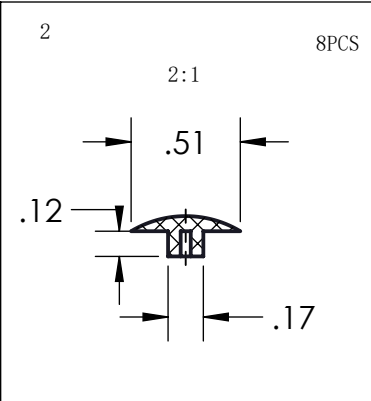
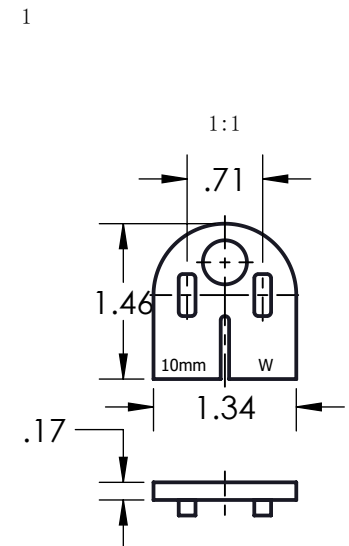
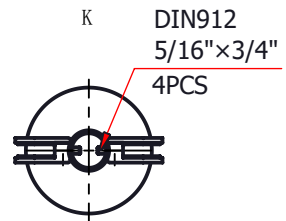
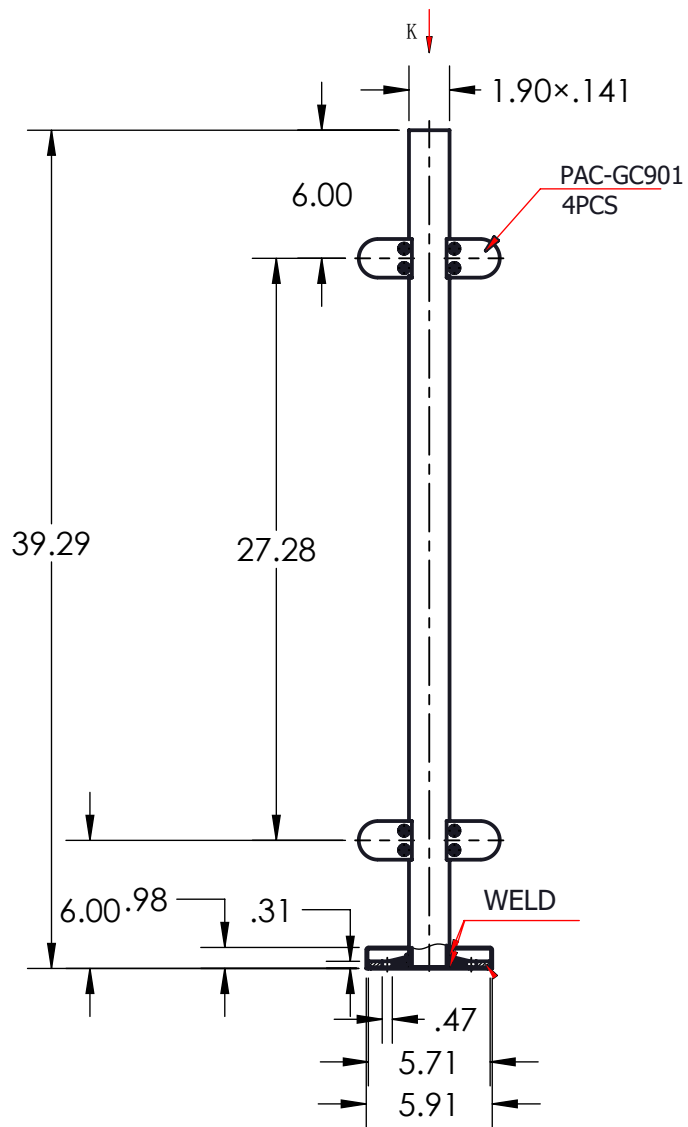
PART NO.			PAC-CG038		
DESCRIPTION:					
POST CLAMP GASKET FOR 3/8" GLASS					
MATERIAL:					
BLACK RUBBER					
DATE:	03/01/2023	SIZE:	A	SHEET:	1 / 1



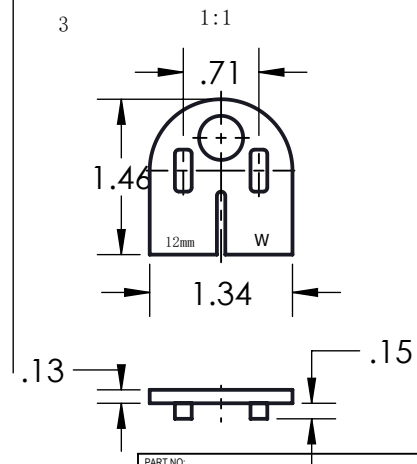
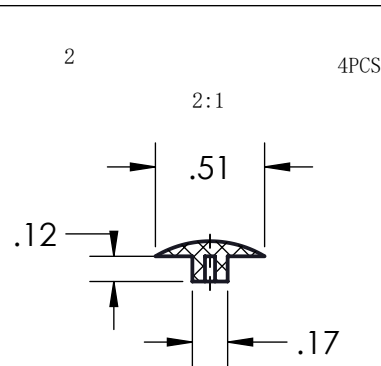
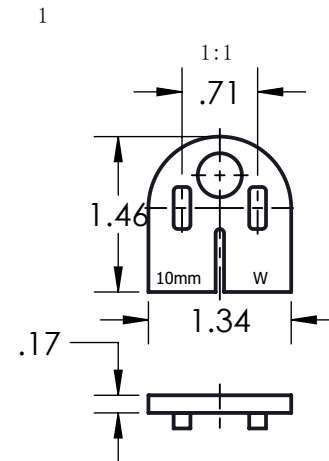
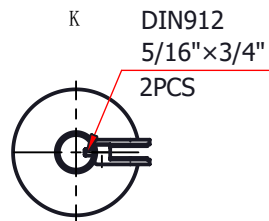
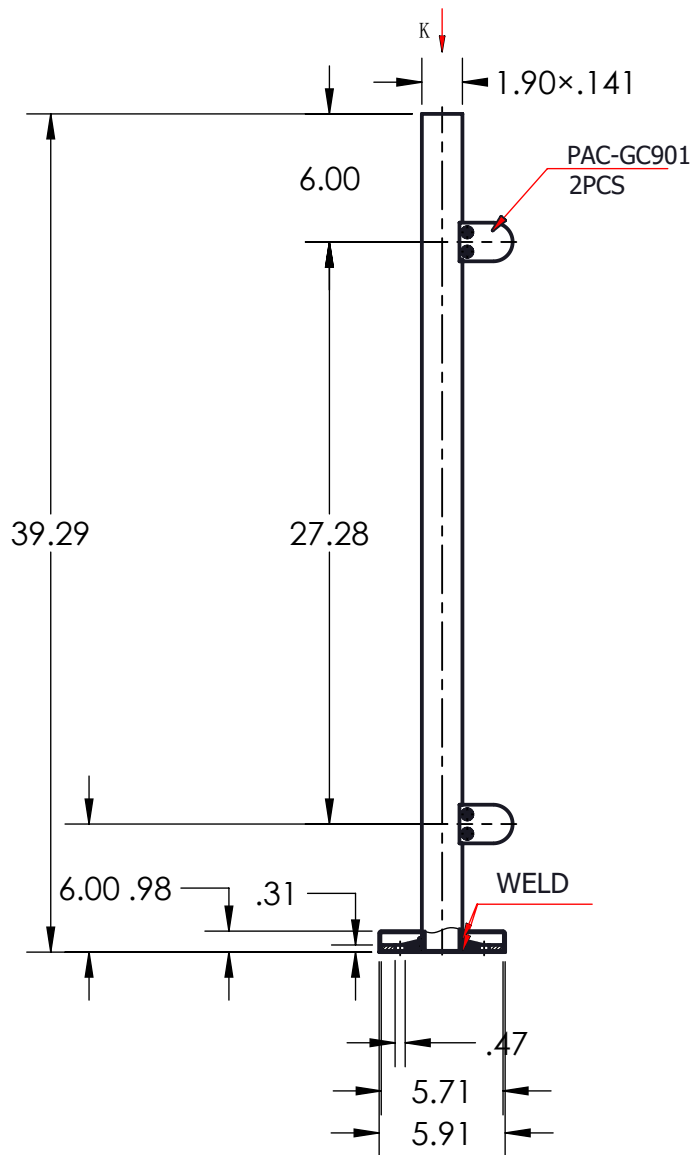
PART NO.			PAC-CG091		
DESCRIPTION:					
POST CLAMP GASKET FOR 9/16" GLASS					
MATERIAL:					
BLACK RUBBER					
DATE:	03/01/2024	SIZE:	A	SHEET:	1 / 1



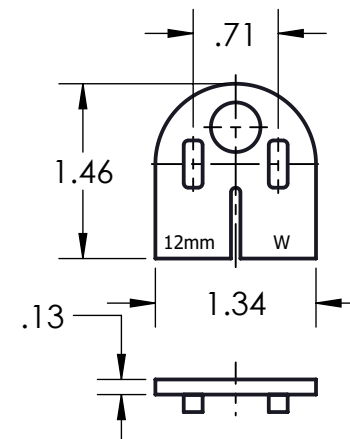
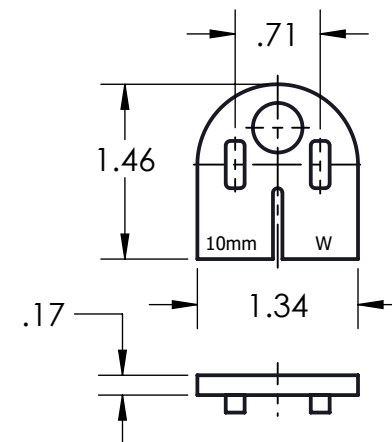
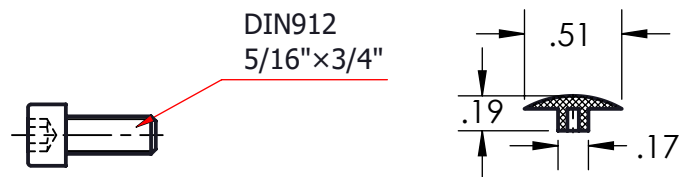
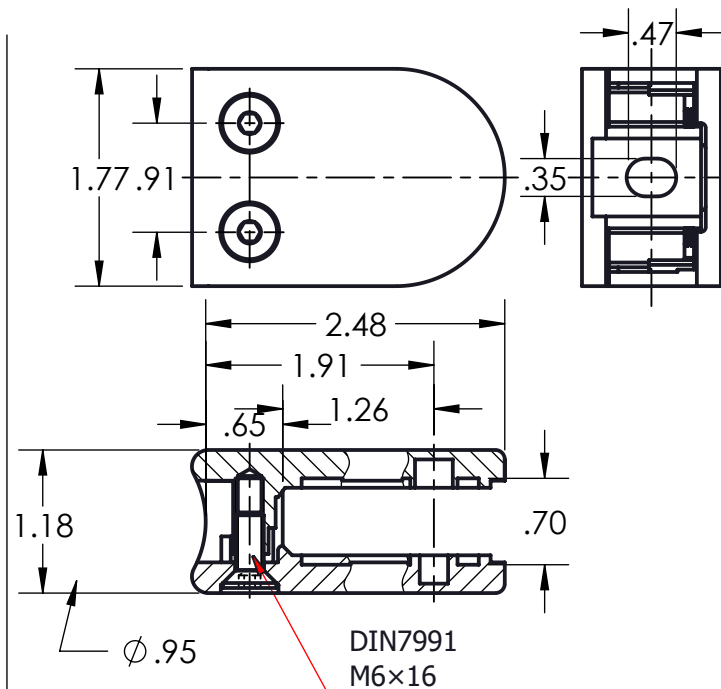
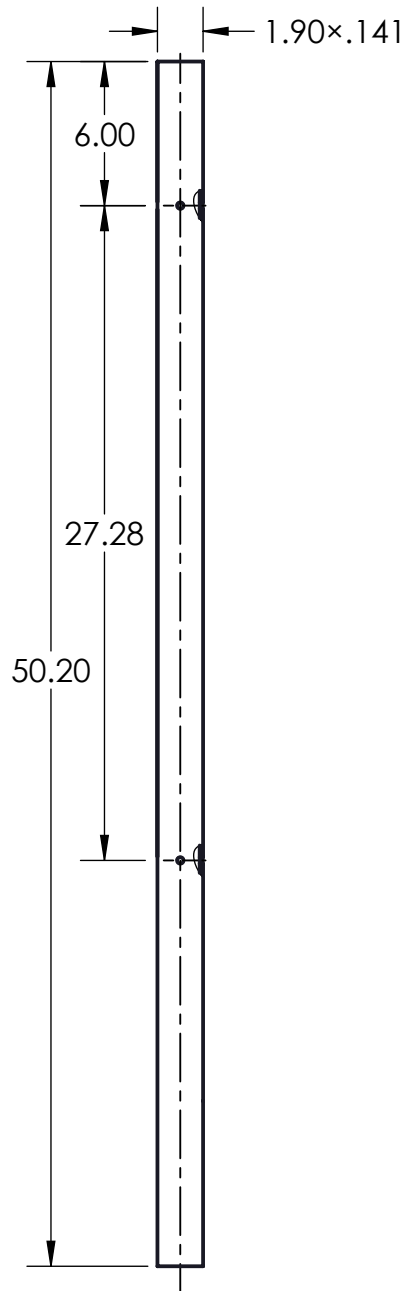
PART NO.		PRC-CP019	
DESCRIPTION:			
POST 90° 1.90" O/D 39 5/16" H NO POST TOP FOR 3/8"-9/16" GLASS			
MATERIAL:			
316 STAINLESS STEEL			
DATE:	SIZE:	SHEET	
01/12/24	A	1 / 1	
Bohle		portals	



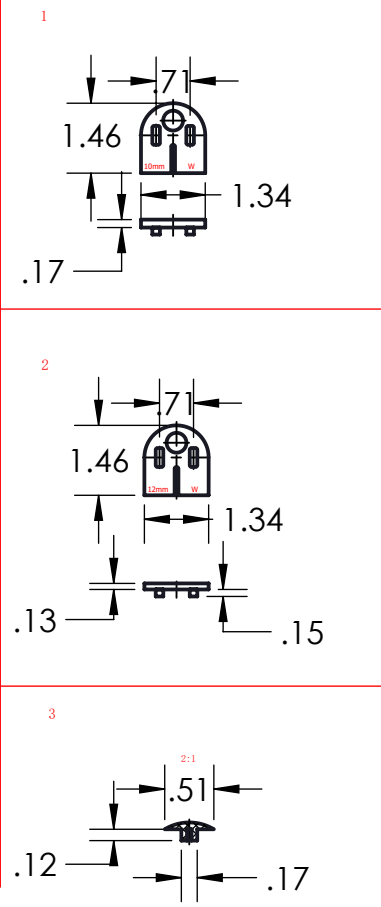
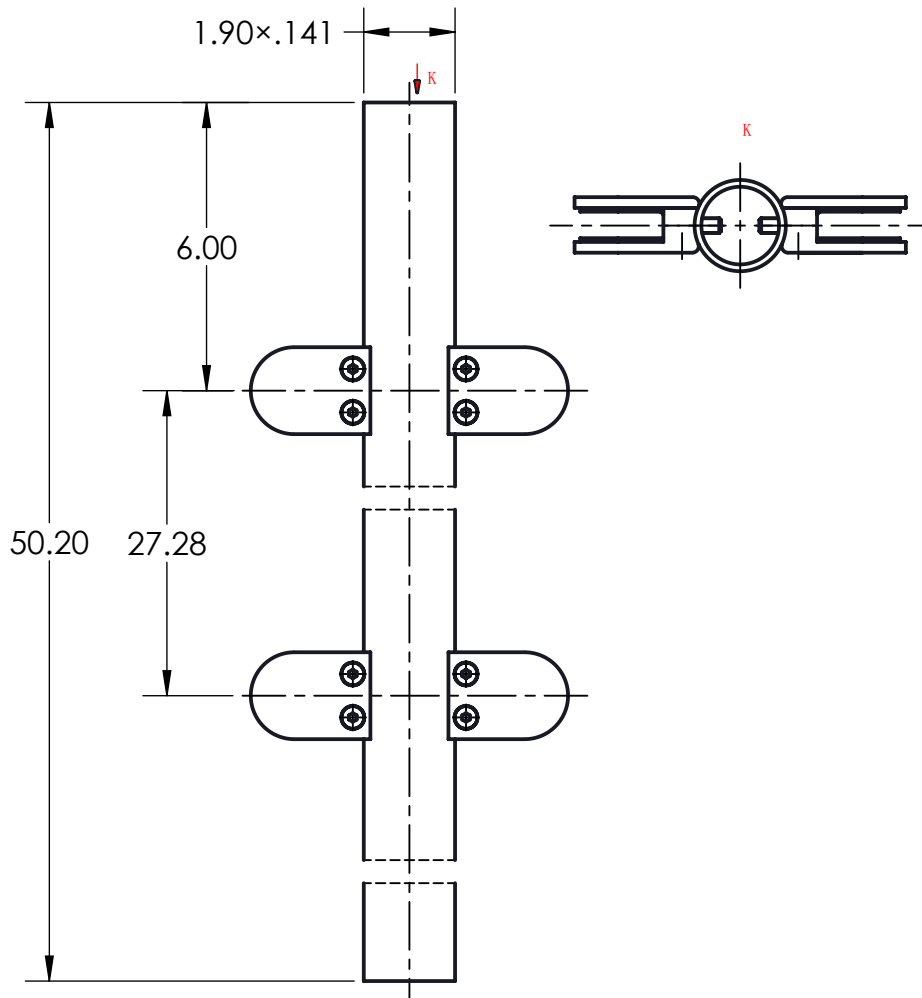
PART NO.		PRC-IP019	
DESCRIPTION:			
POST 180° 1.90" O/D 39 5/16" H NO POST TOP FOR 3/8"-9/16" GLASS			
MATERIAL:			
316 STAINLESS STEEL			
DATE:	SIZE:	SHEET	
01/12/24	A	1 / 1	
Bohle		portals	



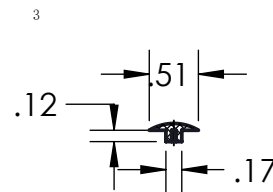
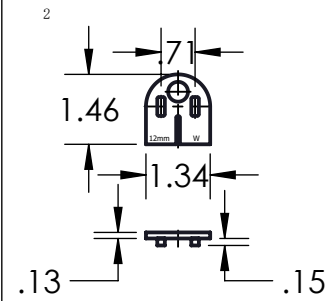
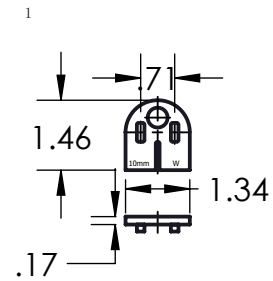
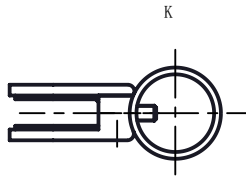
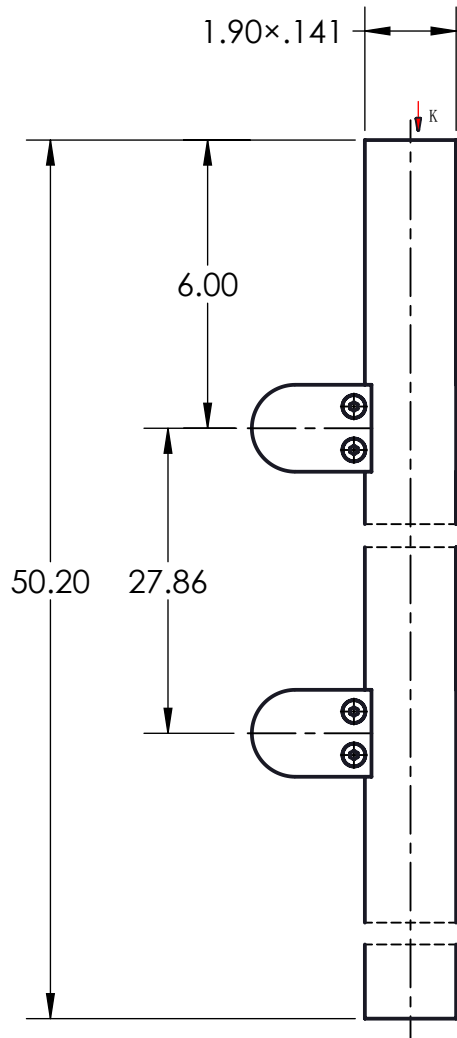
PART NO.		PRC-EP019	
DESCRIPTION:			
POST END 1.90" O/D 39 5/16" H NO POST TOP FOR 3/8"-9/16" GLASS			
MATERIAL:			
316 STAINLESS STEEL			
DATE:	01/12/24	SIZE:	A
		SHEET:	1 / 1



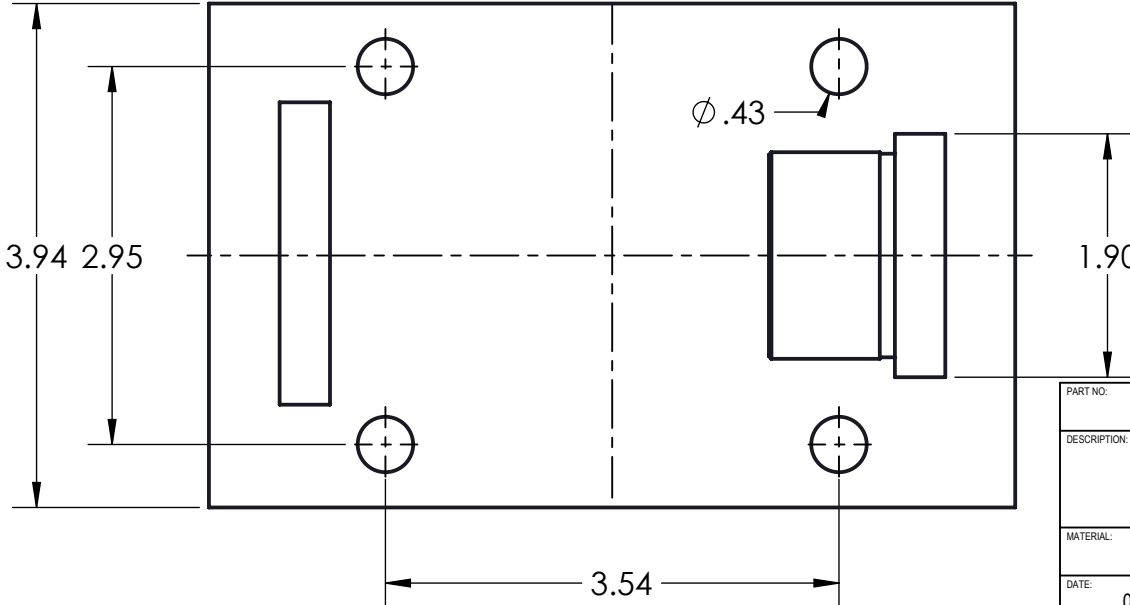
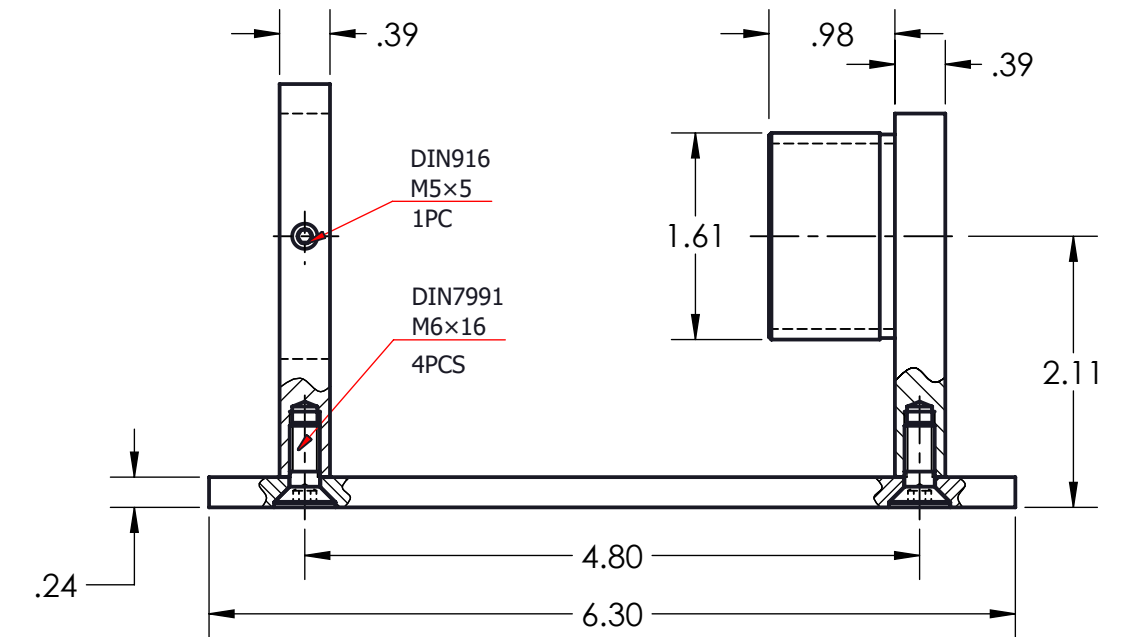
PART NO:		PRC-FC019	
DESCRIPTION:			
POST FACIA 90° 1.90" O/D 48" H NO POST TOP FOR 3/8"-9/16" GLASS			
MATERIAL:			
316 STAINLESS STEEL			
DATE:	SIZE:	SHEET	
02/29/2024	A	1 / 1	
Bohle		portals	



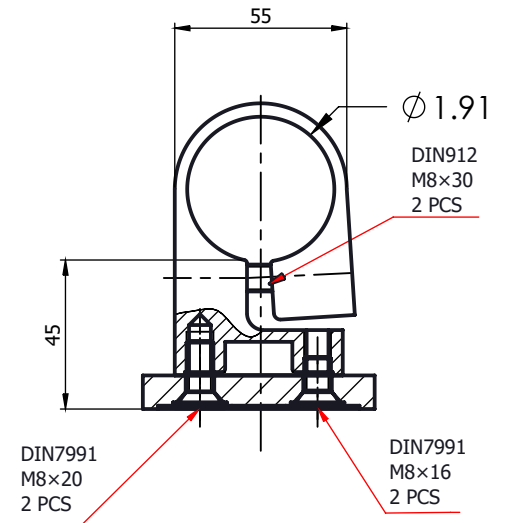
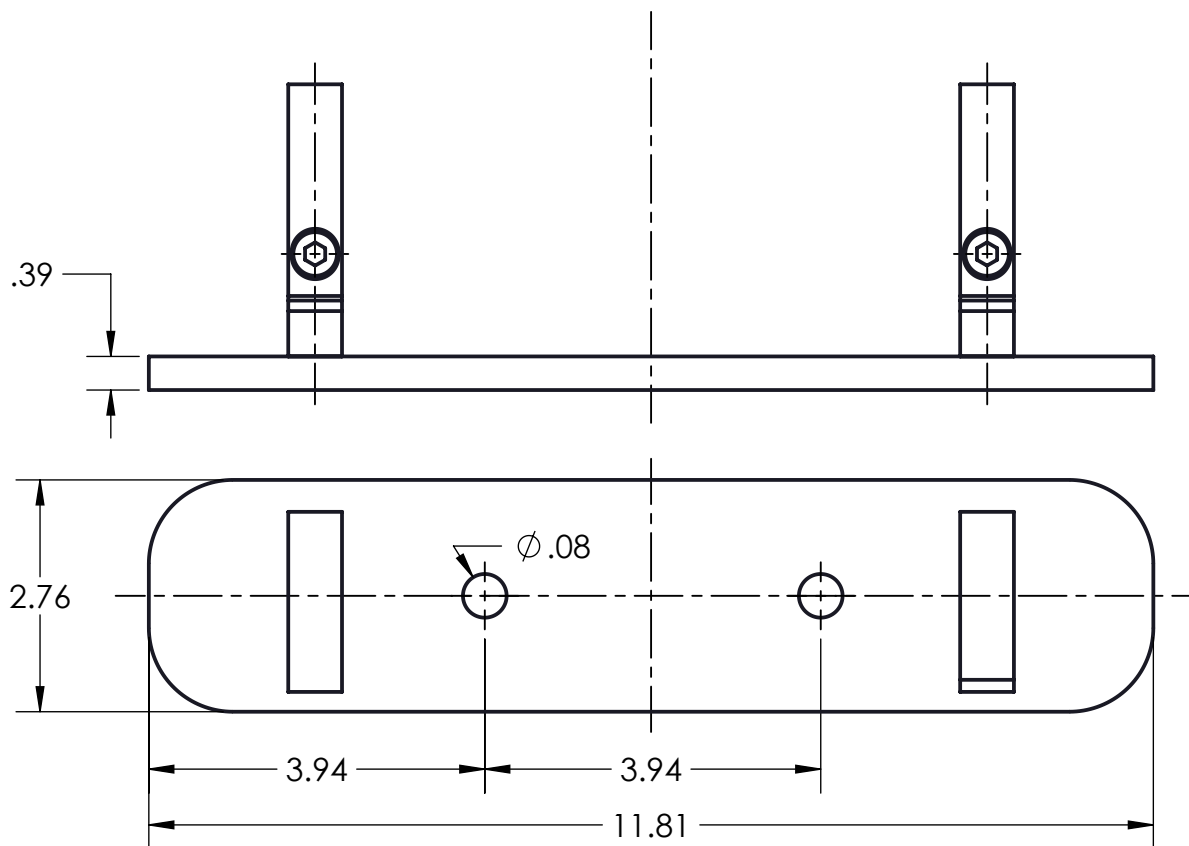
PART NO.			PRC-FI019		
DESCRIPTION:					
POST FACIA 180° 1.90" O/D 48" H NO POST TOP FOR 3/8"-9/16" GLASS					
MATERIAL:					
316 STAINLESS STEEL					
DATE:	02/29/2024	SIZE:	A	SHEET:	1 / 1



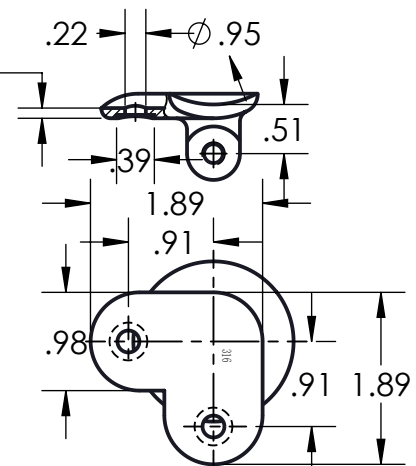
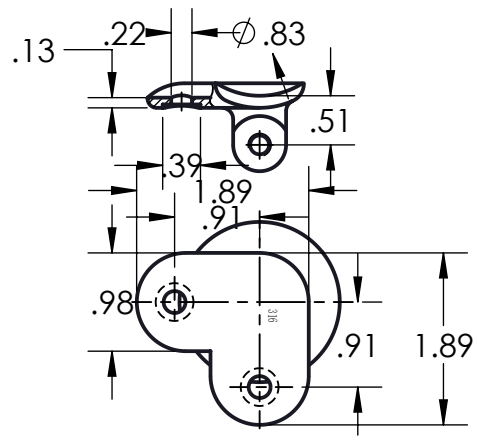
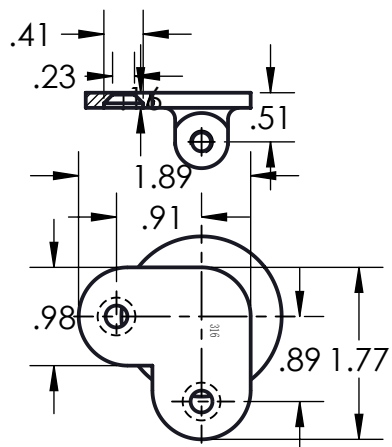
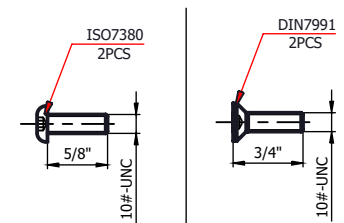
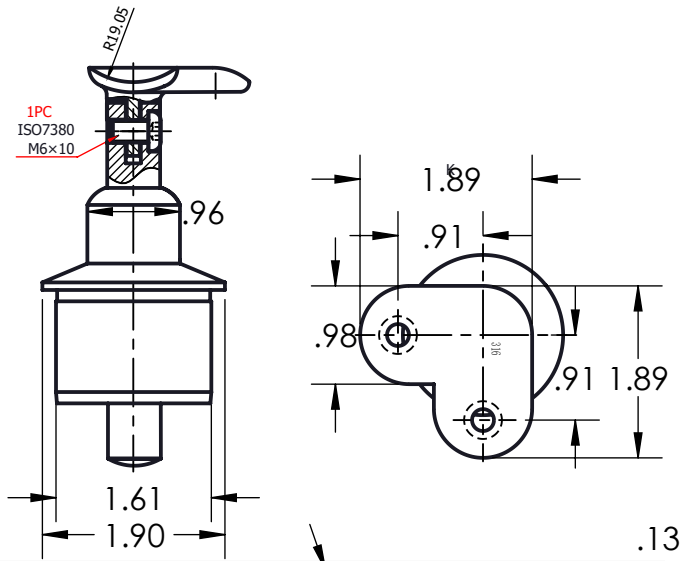
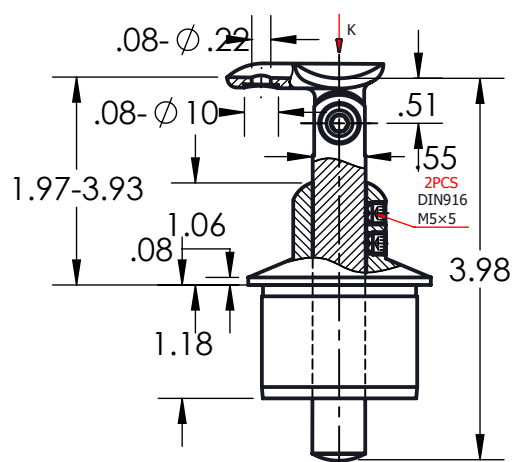
PART NO.			PRC-FE019		
DESCRIPTION:					
POST FACIA END 1.90" O/D 48" H NO POST TOP FOR 3/8"-9/16" GLASS					
MATERIAL:					
316 STAINLESS STEEL					
DATE:	02/29/2024	SIZE:	A	SHEET:	1 / 1



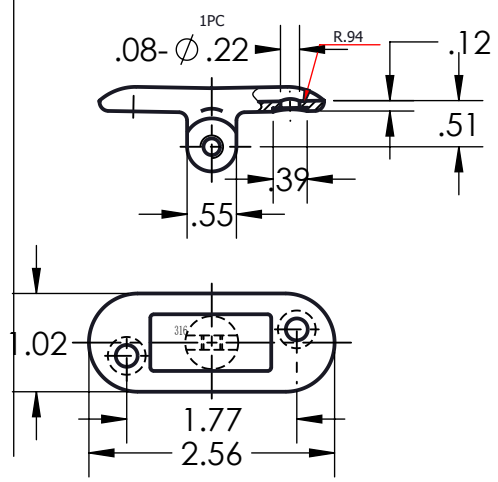
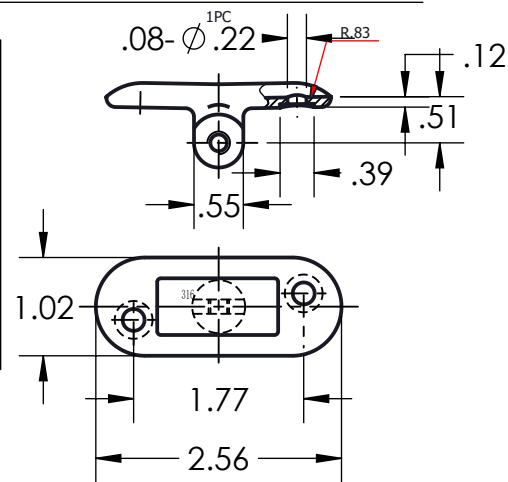
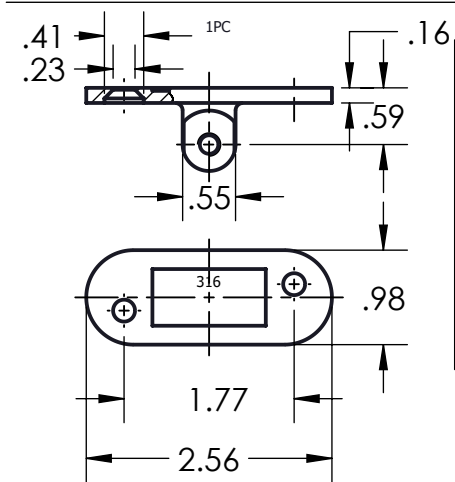
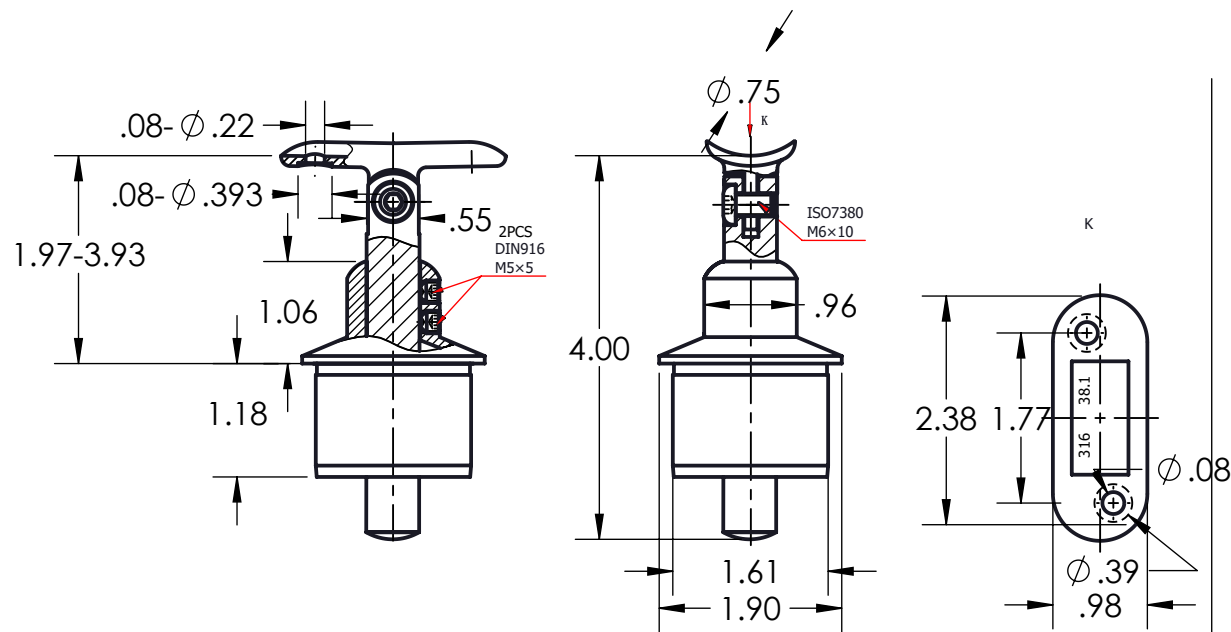
PART NO:		PRC-BR901	
DESCRIPTION:		POST FASCIA BRACKET 1.90" O/D NON ADJUSTABLE	
MATERIAL:		316 STAINLESS STEEL	
DATE:	03/27/2024	SIZE:	A
		SHEET:	1 / 1



PART NO:		PRC-BR902	
DESCRIPTION:			
POST FASCIA BRACKET 1.90" O/D NON ADJUSTABLE			
MATERIAL:			
316 STAINLESS STEEL			
DATE:	03/27/2024	SIZE:	A
		SHEET:	1 / 1



PART NO:		PRC-TO090	
DESCRIPTION:			
POST TOP 90° HEIGHT ADJUSTABLE 1.90" O/D			
MATERIAL:			
316 STAINLESS STEEL			
DATE:	SIZE:	SHEET	
03/28/2024	A	1 / 1	
Bohle		portals	



PART NO.		PRC-T0180	
DESCRIPTION:			
POST TOP 180° HEIGHT ADJUSTABLE 1.90"			
MATERIAL:			
316 STAINLESS STEEL			
DATE:	SIZE:	SHEET	
01/12/24	A	1 / 1	
Bohle		portals	