

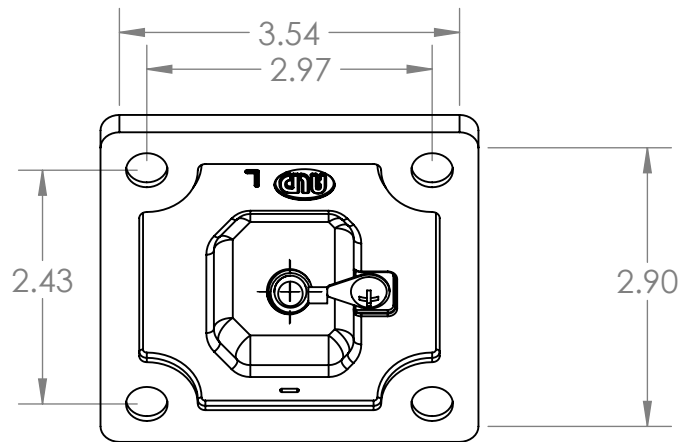
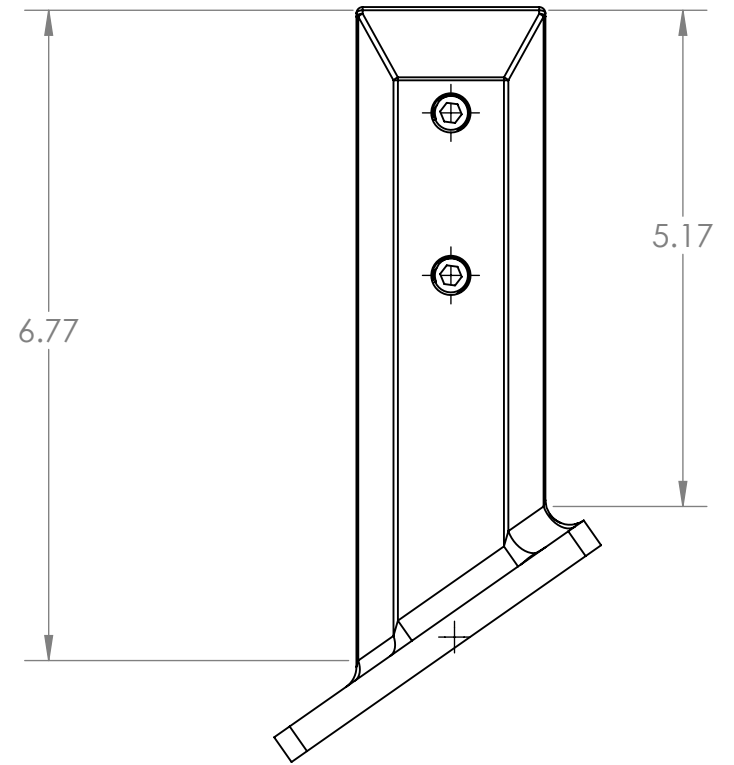
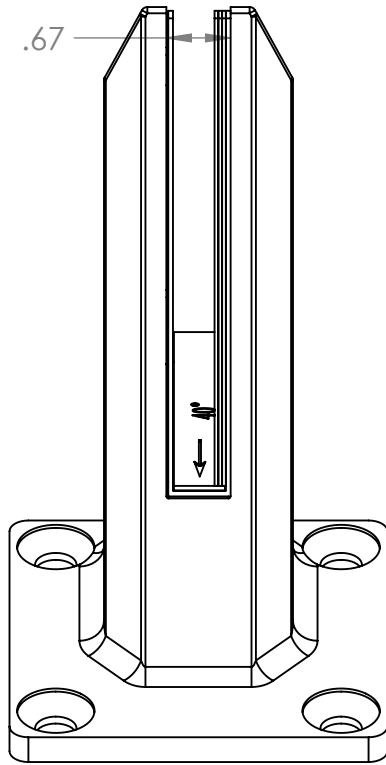


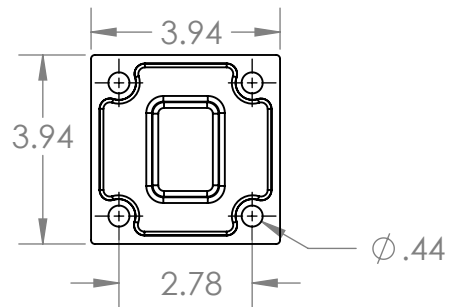
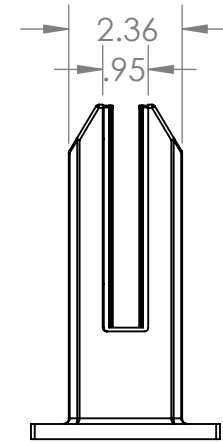
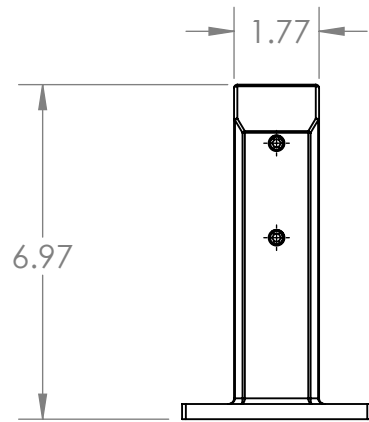




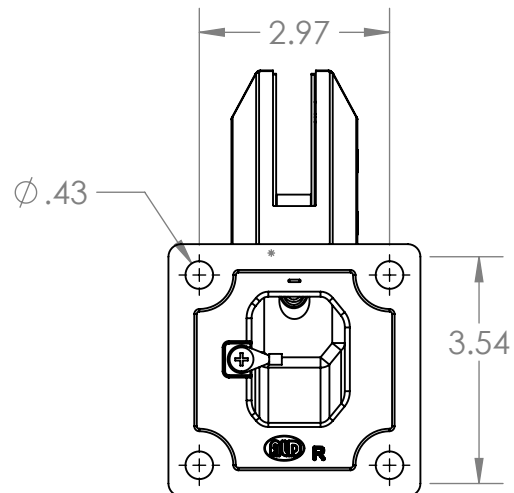
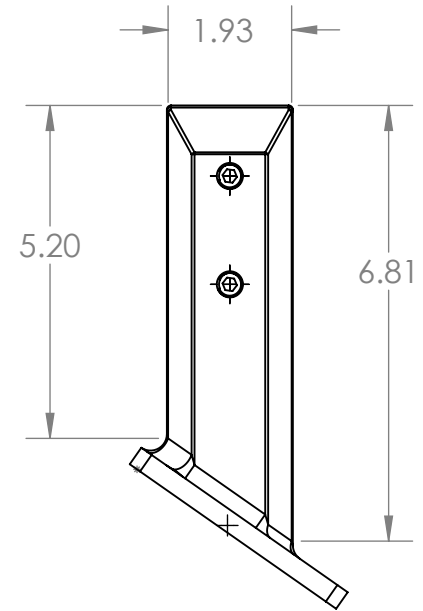
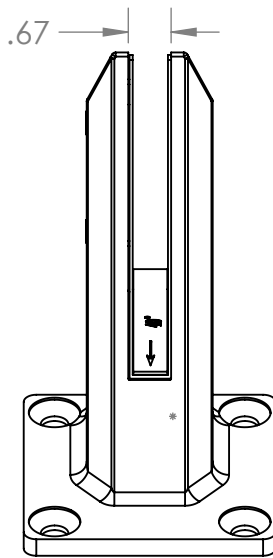
PART NO:			SSM-AD901 SSM-AD902		
DESCRIPTION:					
SPIGOT SURFACE MOUNT FULLY ADJUSTABLE 3/8"-1/2" GLASS					
MATERIAL:					
316 STAINLESS STEEL					
DATE:	04/01/2024	SIZE:	A	SHEET:	1 / 1
					



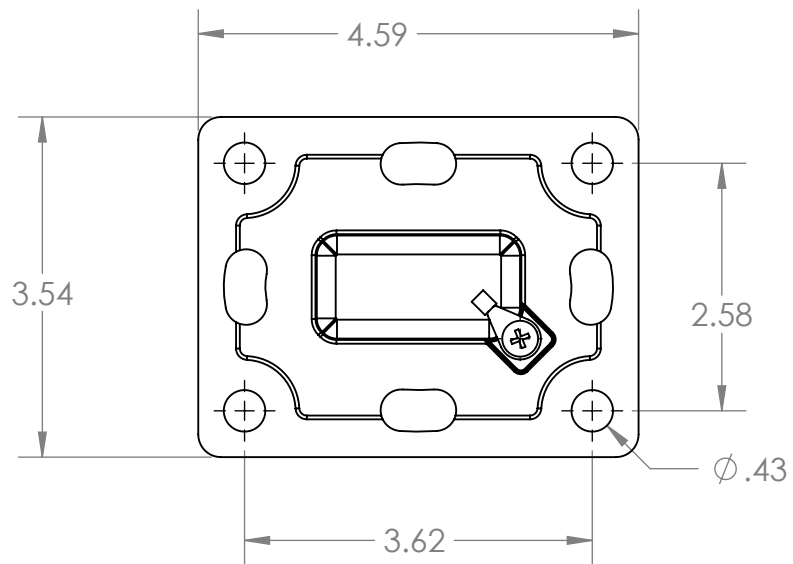
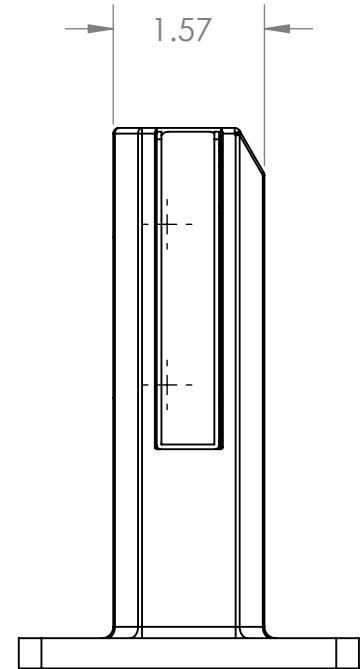
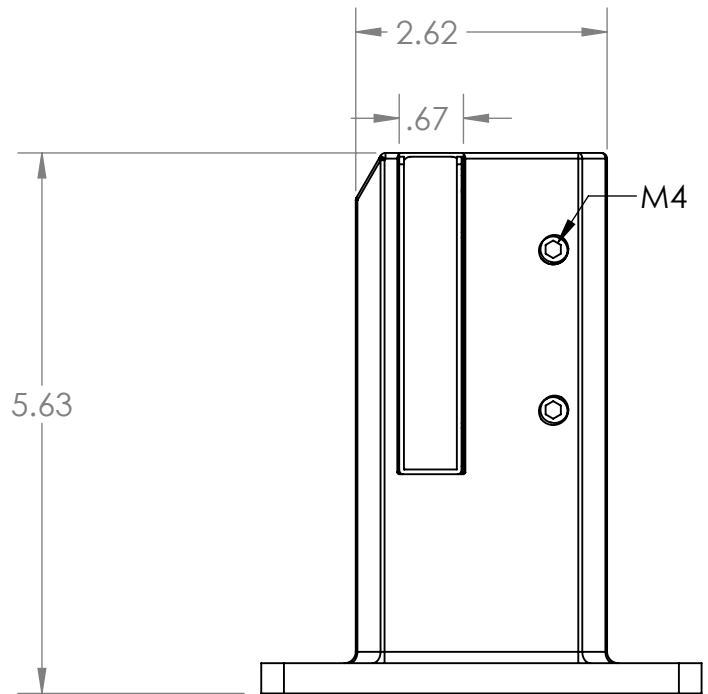
PART NO:		SSM-AD903	
DESCRIPTION:			
SPIGOT SURFACE MOUNT INCLINED ADJUSTABLE LEFT HAND WITH COVER PLATE 3/8"-1/2" GLASS			
MATERIAL:			
316 STAINLESS STEEL			
DATE:	03/28/2024	SIZE:	A
		SHEET:	1 / 1
			



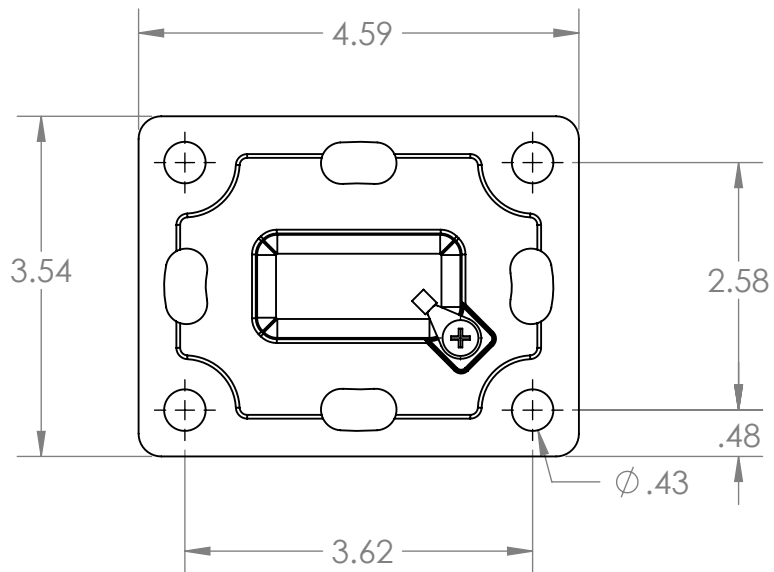
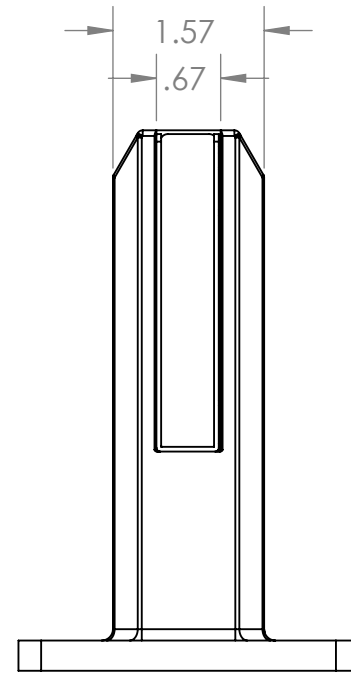
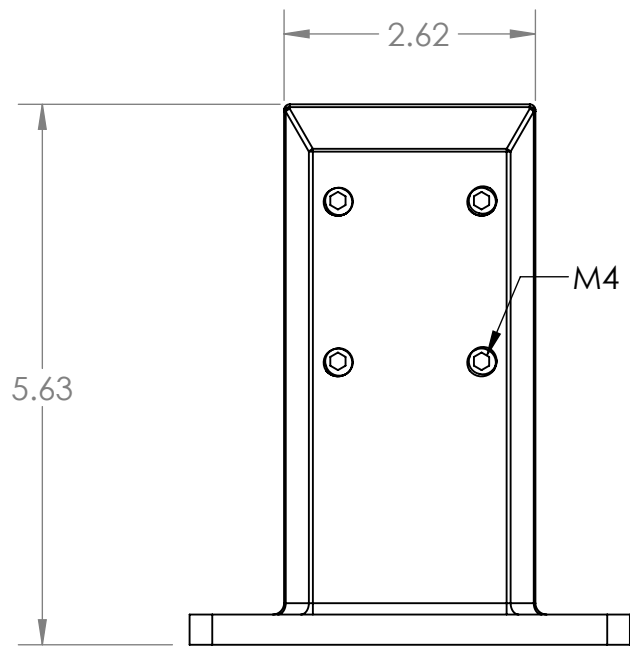
PART NO.			SSM-AD904		
DESCRIPTION:					
SPIGOT SURFACE MOUNT NON ADJUSTABLE 9/16"-11/16" GLASS					
MATERIAL:					
316 STAINLESS STEEL					
DATE:	04/01/2024	SIZE:	A	SHEET:	1 / 1
					



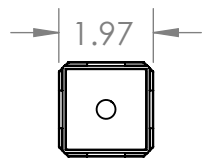
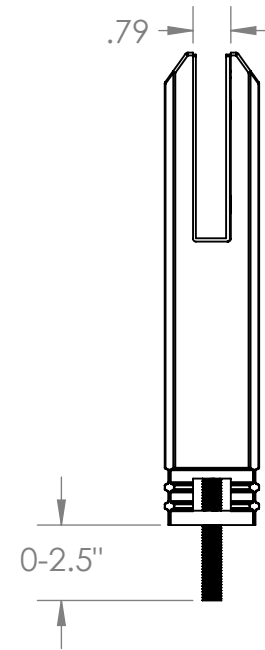
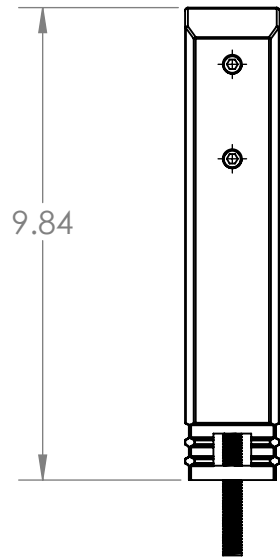
PART NO.			SSM-AD905		
DESCRIPTION:					
SPIGOT SURFACE MOUNT INCLINED ADJUSTABLE RIGHT HAND WITH COVER PLATE 3/8"-1/2" GLASS					
MATERIAL:					
316 STAINLESS STEEL					
DATE:	03/28/2024	SIZE:	A	SHEET:	1 / 1



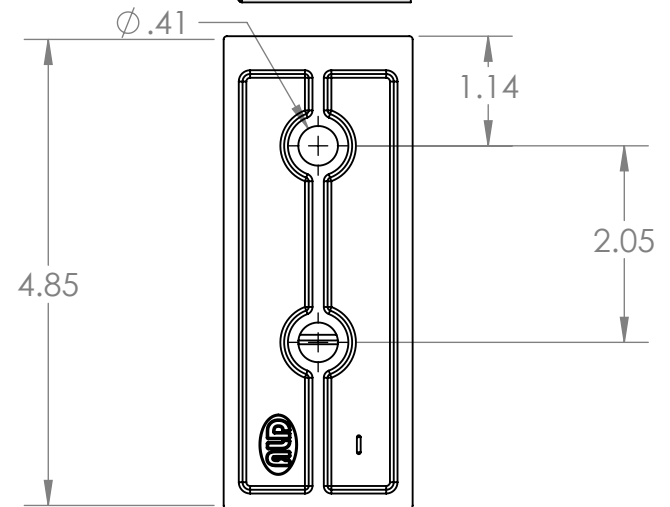
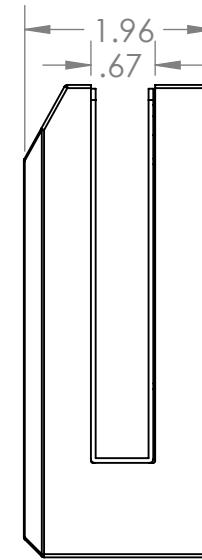
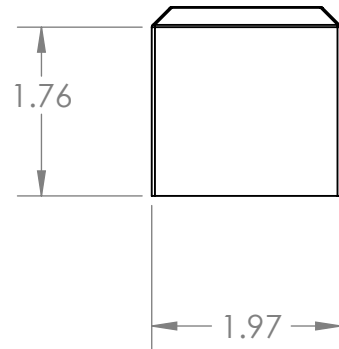
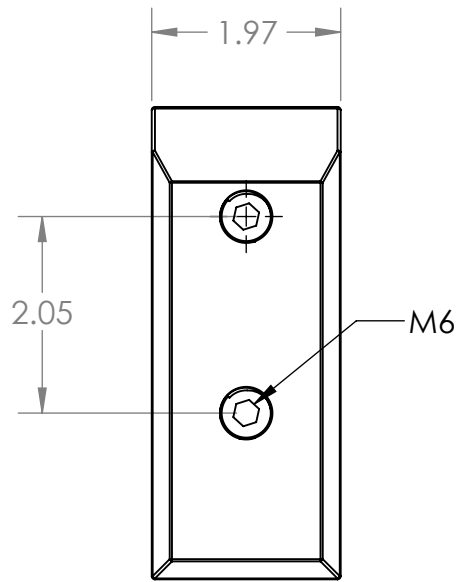
PART NO:			SSM-CR901		
DESCRIPTION:					
SPIGOT SURFACE MOUNT ADJUSTABLE 90° 3/8"-1/2" GLASS					
MATERIAL:					
316 STAINLESS STEEL					
DATE:	04/01/2024	SIZE:	A	SHEET:	1 / 1



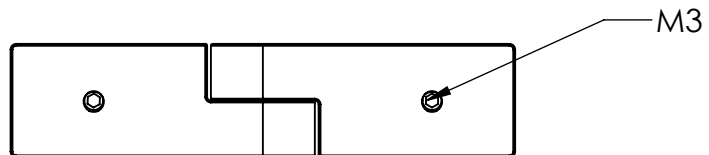
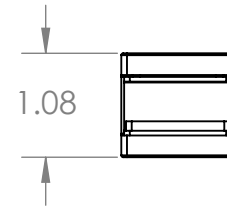
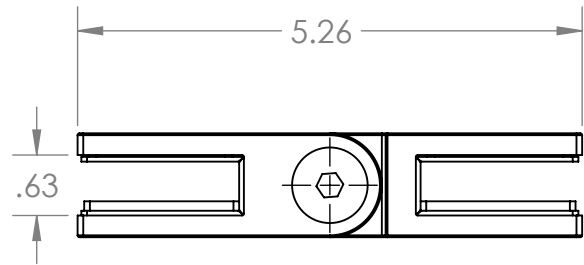
PART NO.			SSM-IN901		
DESCRIPTION:					
SPIGOT SURFACE MOUNT ADJUSTABLE 180° 3/8"-1/2" GLASS					
MATERIAL:					
316 STAINLESS STEEL					
DATE:	04/01/2024	SIZE:	A	SHEET:	1 / 1





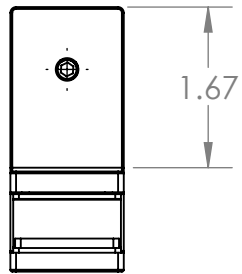
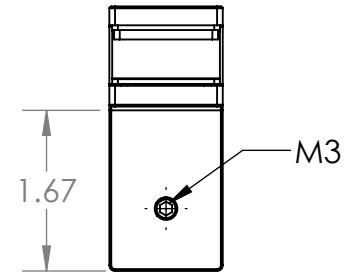
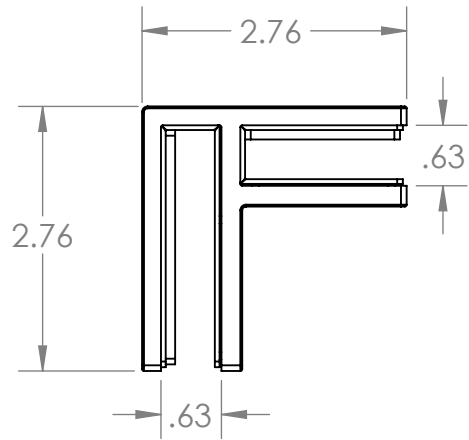
PART NO:			SCO-NA901		
DESCRIPTION:					
SPIGOT CORE MOUNT NON ADJUSTABLE WITH COVER PLATE 3/8-9/16" GLASS					
MATERIAL:					
316 STAINLESS STEEL					
DATE:	04/01/2024	SIZE:	A	SHEET:	1 / 1



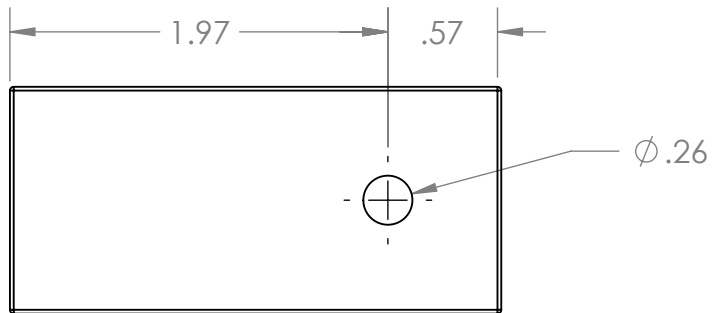
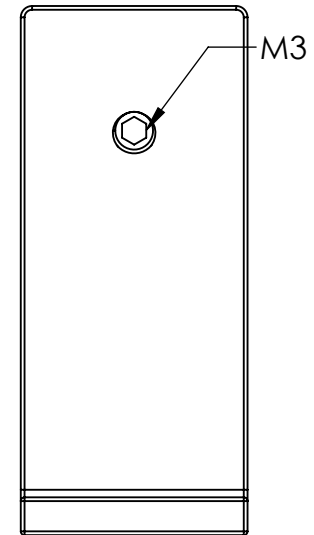
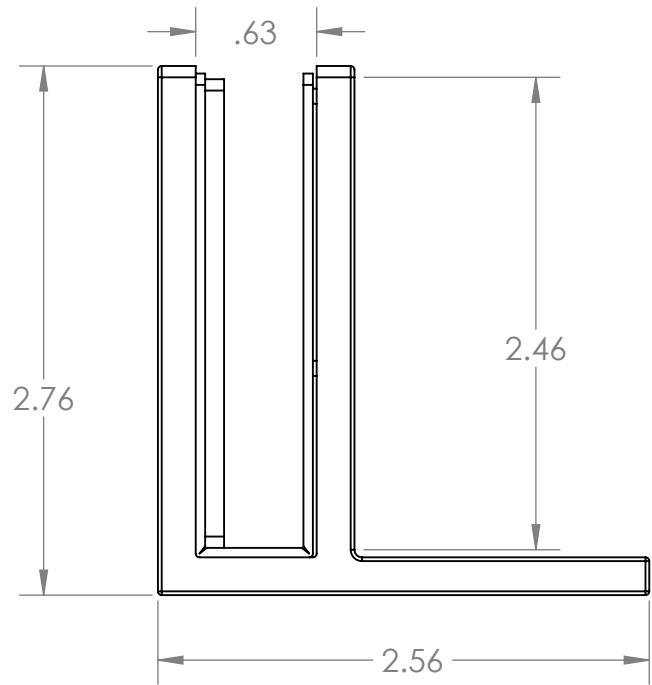
PART NO.		SFM-AD901	
DESCRIPTION:			
SPIGOT FASCIA MOUNT ADJUSTABLE 3/8"-1/2" GLASS			
MATERIAL:			
316 STAINLESS STEEL			
DATE:	SIZE:	SHEET	
03/28/2024	A	1 / 1	
Bohle		portals	



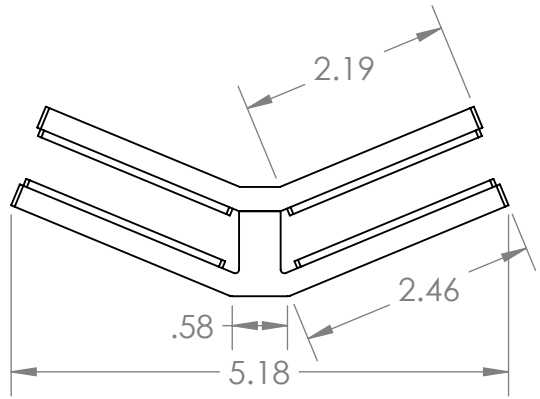
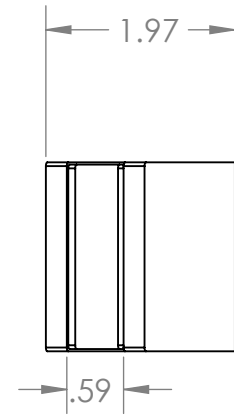
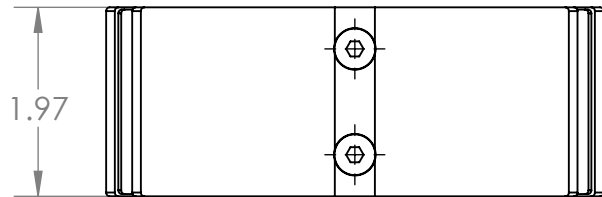
PART NO:			SGC-AD180		
DESCRIPTION:					
GLASS TO GLASS CONNECTOR SQUARE 90°-180° ADJUSTABLE 3/8-1/2" GLASS					
MATERIAL:					
316 STAINLESS STEEL					
DATE:	03/28/2024	SIZE:	A	SHEET:	1 / 1
					



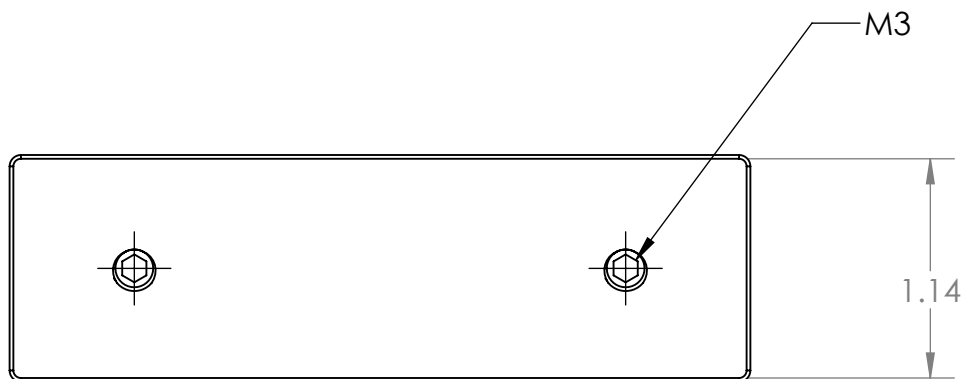
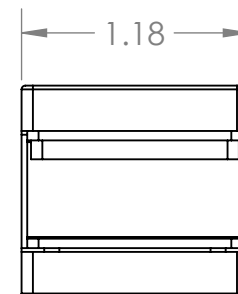
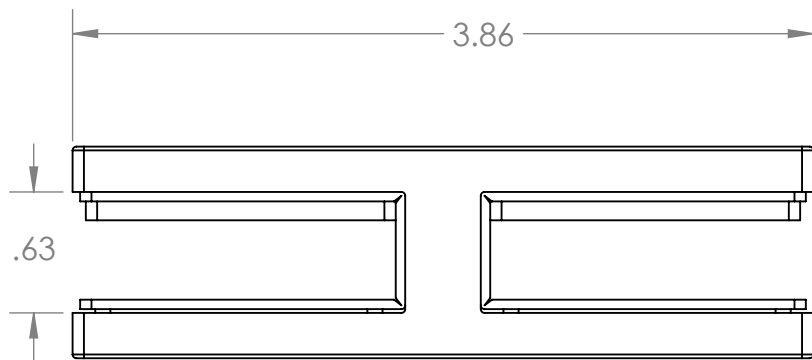
PART NO.			SGC-NA090		
DESCRIPTION:					
GLASS TO GLASS CONNECTOR SQUARE 90° 3/8-1/2" GLASS					
MATERIAL:					
316 STAINLESS STEEL					
DATE:	03/28/2024	SIZE:	A	SHEET:	1 / 1



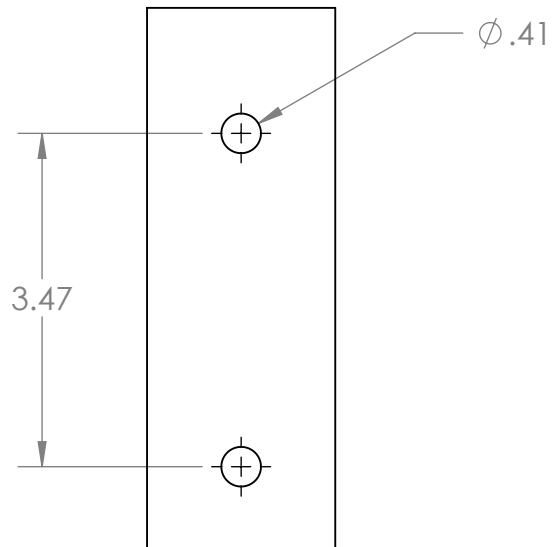
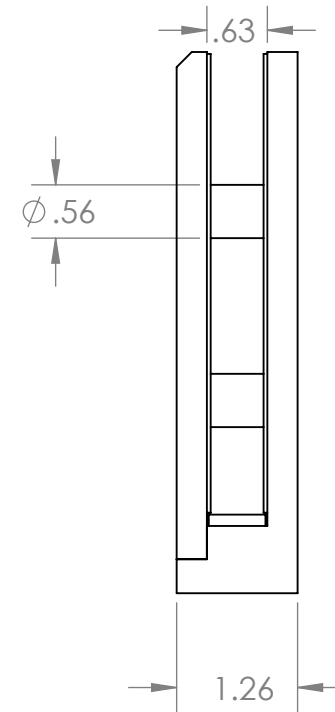
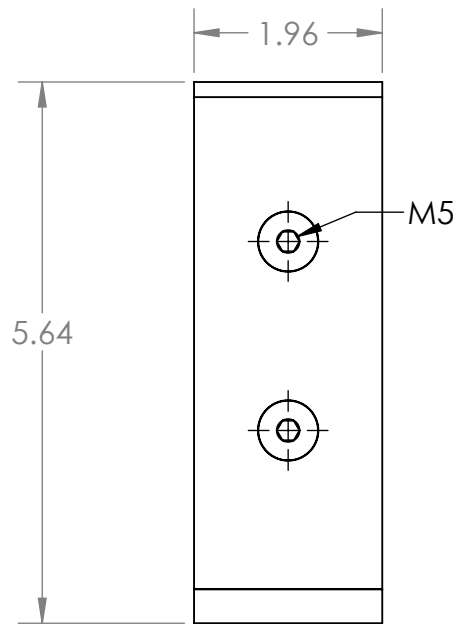
PART NO.			SGC-NA091		
DESCRIPTION:					
GLASS TO WALL CONNECTOR SQUARE EXTENDED 3/8-1/2" GLASS					
MATERIAL:					
316 STAINLESS STEEL					
DATE:	03/28/2024	SIZE:	A	SHEET:	1 / 1





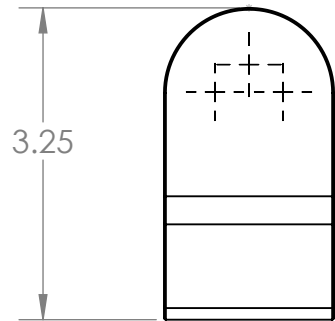
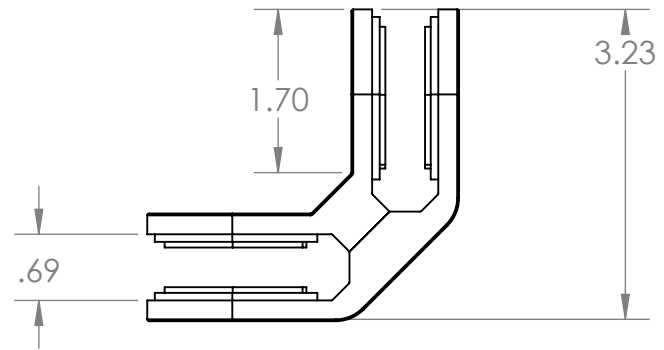
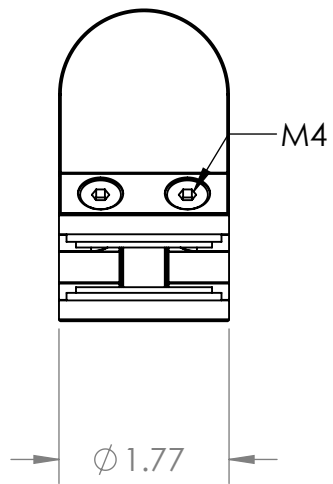
PART NO:			SGC-NA135		
DESCRIPTION:					
GLASS TO GLASS CONNECTOR SQUARE 135° 3/8-1/2" GLASS					
MATERIAL:					
316 STAINLESS STEEL					
DATE:	03/28/2024	SIZE:	A	SHEET:	1 / 1



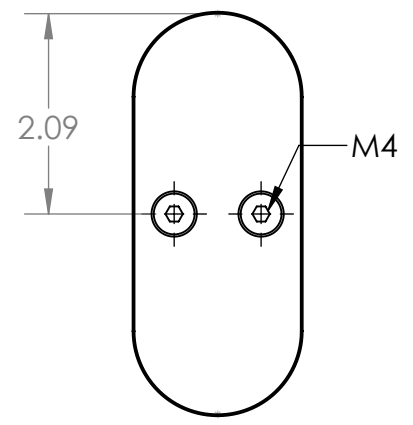
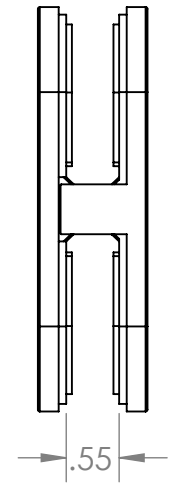
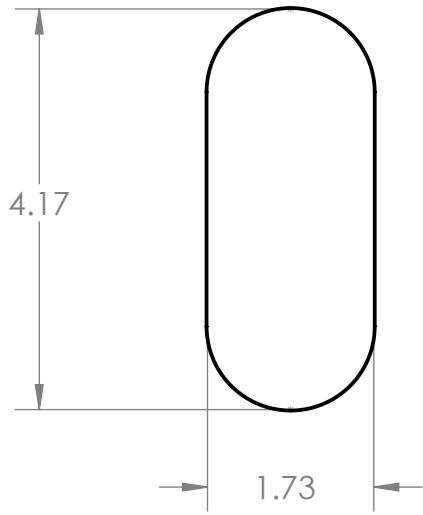
PART NO:			SGC-NA180		
DESCRIPTION:					
GLASS TO GLASS CONNECTOR SQUARE 180° 3/8-1/2" GLASS					
MATERIAL:					
316 STAINLESS STEEL					
DATE:	03/28/2024	SIZE:	A	SHEET:	1 / 1



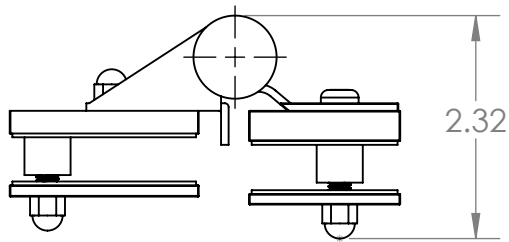
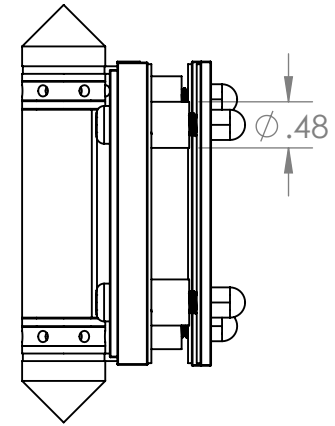
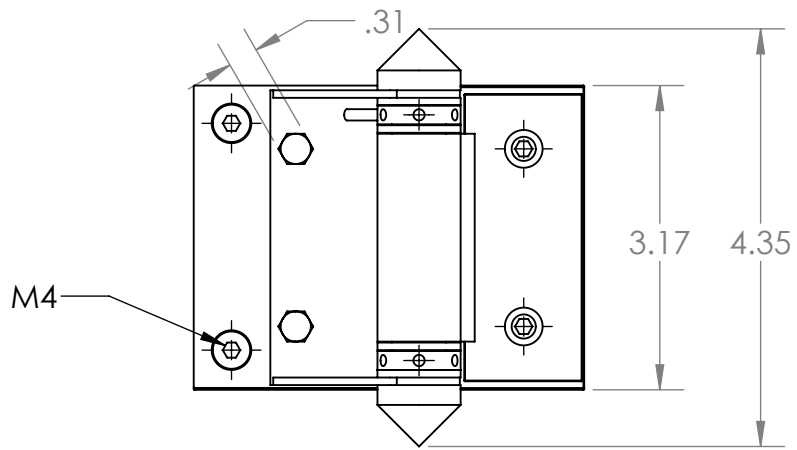
PART NO.			SGC-NA901		
DESCRIPTION:					
GLASS TO WALL CONNECTOR SQUARE EXTENDED 3/8-1/2" GLASS					
MATERIAL:					
316 STAINLESS STEEL					
DATE:	03/28/2024	SIZE:	A	SHEET:	1 / 1
					



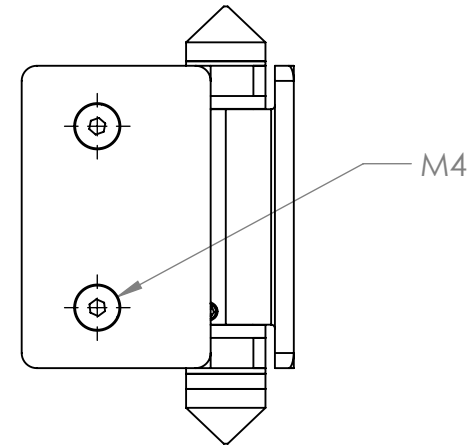
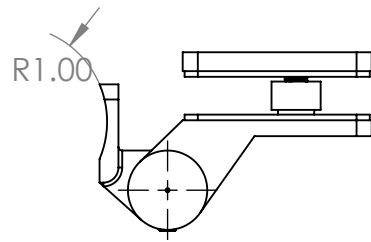
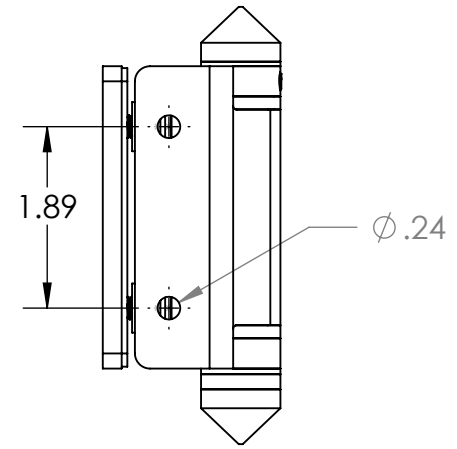
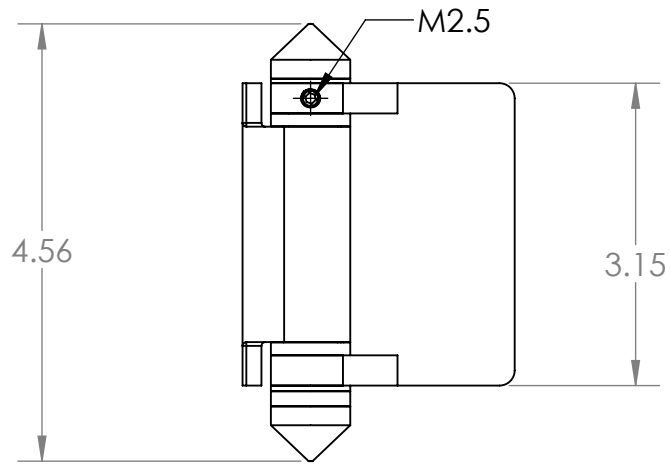
PART NO.			SGC-NA092		
DESCRIPTION:					
GLASS TO GLASS CONNECTOR ROUND 90° 5/16-1/2" GLASS					
MATERIAL:					
316 STAINLESS STEEL					
DATE:	03/28/2024	SIZE:	A	SHEET:	1 / 1



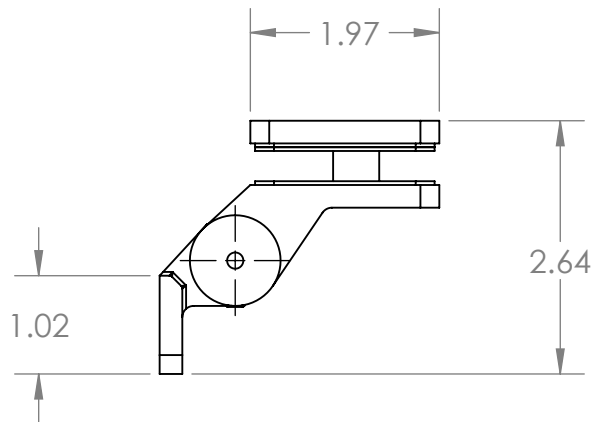
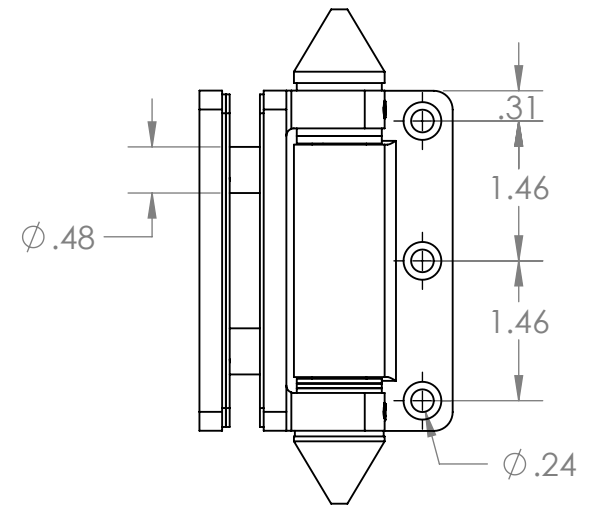
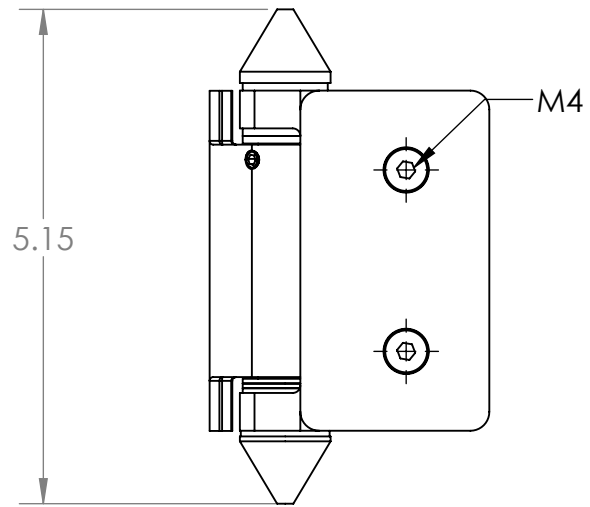
PART NO.			SGC-NA181		
DESCRIPTION:					
GLASS TO GLASS CONNECTOR ROUND 180° 5/16-1/2" GLASS					
MATERIAL:					
316 STAINLESS STEEL					
DATE:	04/01/2024	SIZE:	A	SHEET:	1 / 1



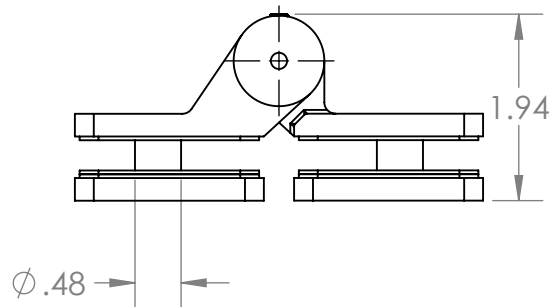
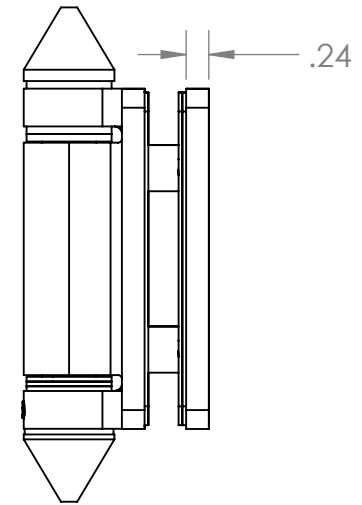
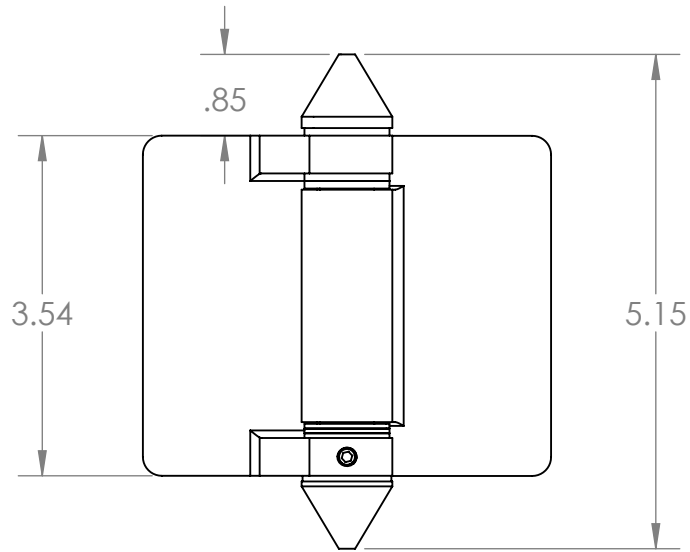
PART NO.			SGT-HI901		
DESCRIPTION:					
GATE SPRING HINGE WITH STOP PIN GLASS TO GLASS 5/16-1/2" GLASS					
MATERIAL:					
04/01/2024					
DATE:		SIZE:		SHEET	
		A		1 / 1	
					





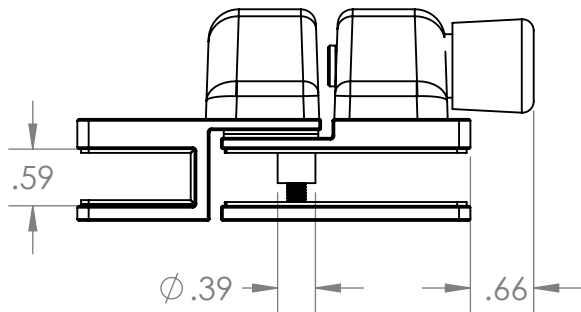
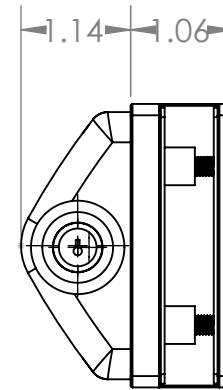
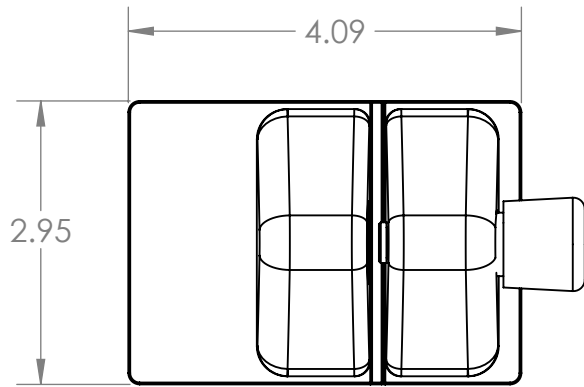
PART NO:			SGT-HI902		
DESCRIPTION:					
GATE SPRING HINGE GLASS TO ROUND POST 5/16-1/2" GLASS					
MATERIAL:					
316 STAINLESS STEEL					
DATE:	03/28/2024	SIZE:	A	SHEET:	1 / 1



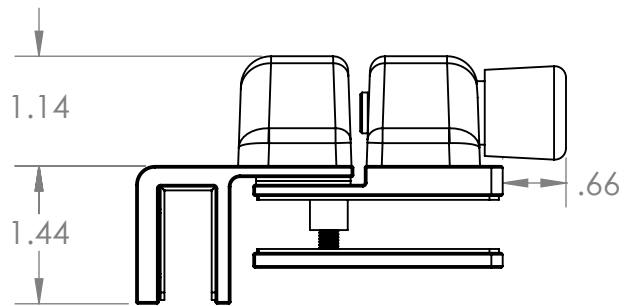
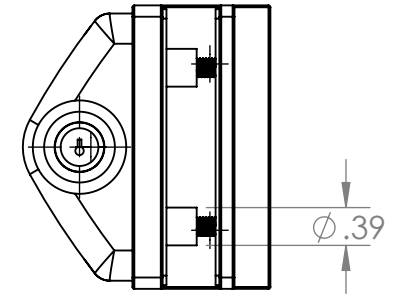
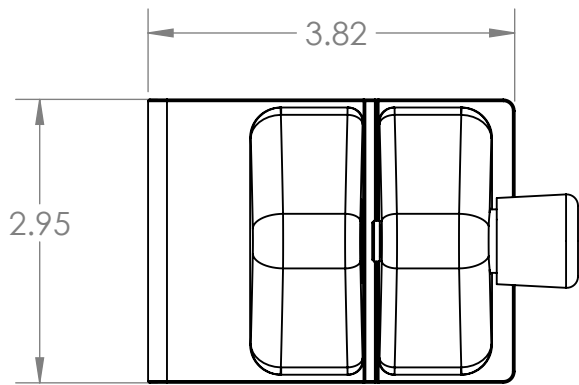
PART NO:			SGT-HI903		
DESCRIPTION:					
GATE SPRING HINGE GLASS TO SQUARE POST OR WALL 5/16-1/2" GLASS					
MATERIAL:					
316 STAINLESS STEEL					
DATE:	04/02/2024	SIZE:	A	SHEET:	1 / 1





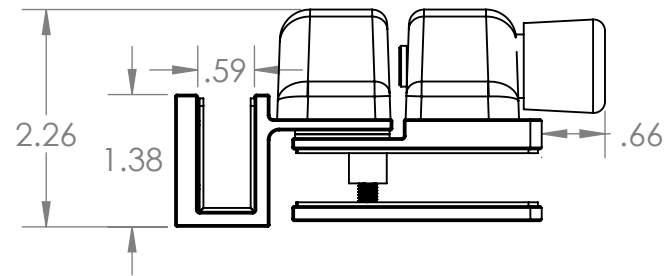
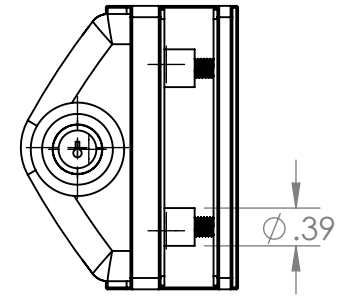
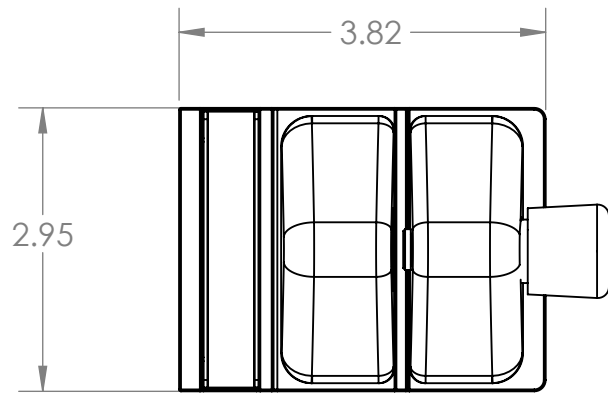
PART NO:			SGT-HI904		
DESCRIPTION:					
GATE SPRING HINGE GLASS TO GLASS 5/16-1/2" GLASS					
MATERIAL:					
316 STAINLESS STEEL					
DATE:	04/01/2024	SIZE:	A	SHEET:	1 / 1
					



PART NO.			SGT-LA180		
DESCRIPTION:					
GATE LATCH 180° 5/16-1/2" GLASS					
MATERIAL:					
316 STAINLESS STEEL					
DATE:	04/01/2024	SIZE:	A	SHEET:	1 / 1
					



PART NO:			SGT-LA902		
DESCRIPTION:					
GATE LATCH 90° OUTSIDE CORNER 5/16-1/2" GLASS					
MATERIAL:					
316 STAINLESS STEEL					
DATE:	04/01/2024	SIZE:	A	SHEET:	1 / 1
					



PART NO:			SGT-LA903		
DESCRIPTION:					
GATE LATCH 90° INSIDE CORNER 5/16-1/2" GLASS					
MATERIAL:					
316 STAINLESS STEEL					
DATE:	04/01/2024	SIZE:	A	SHEET:	1 / 1