

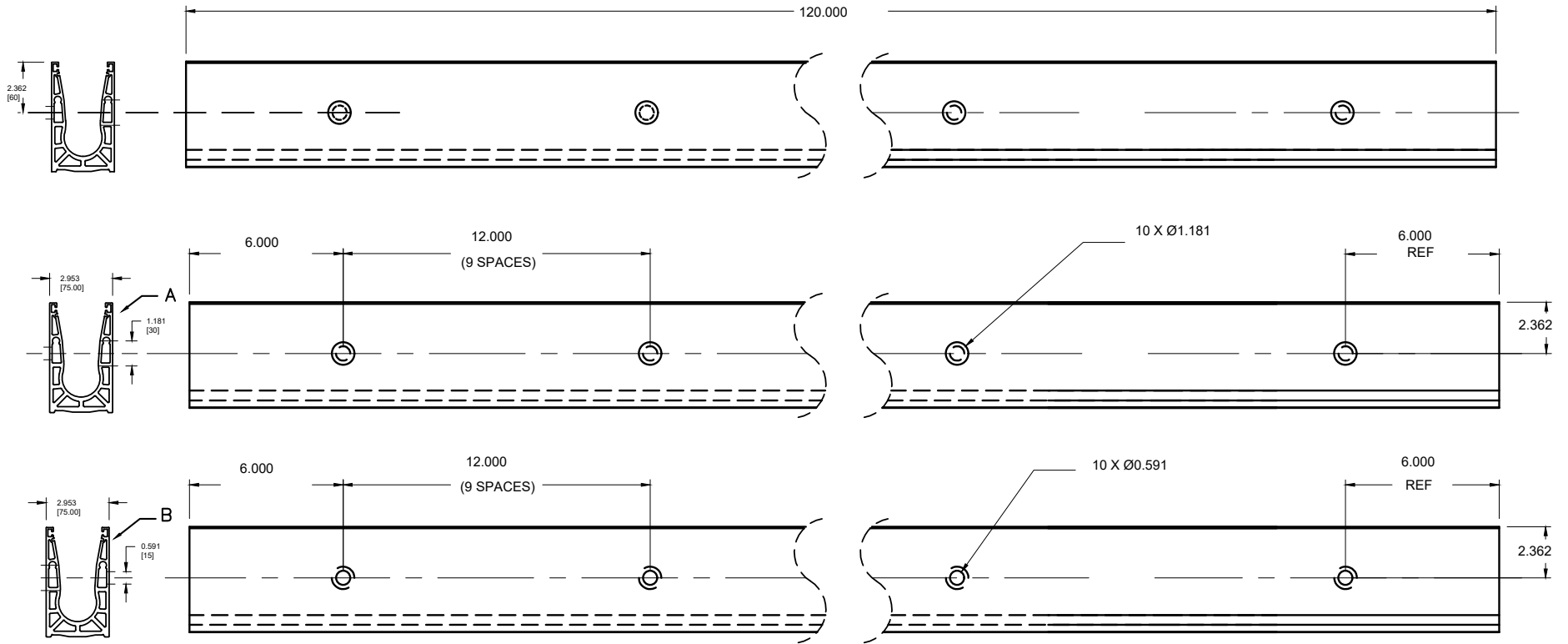


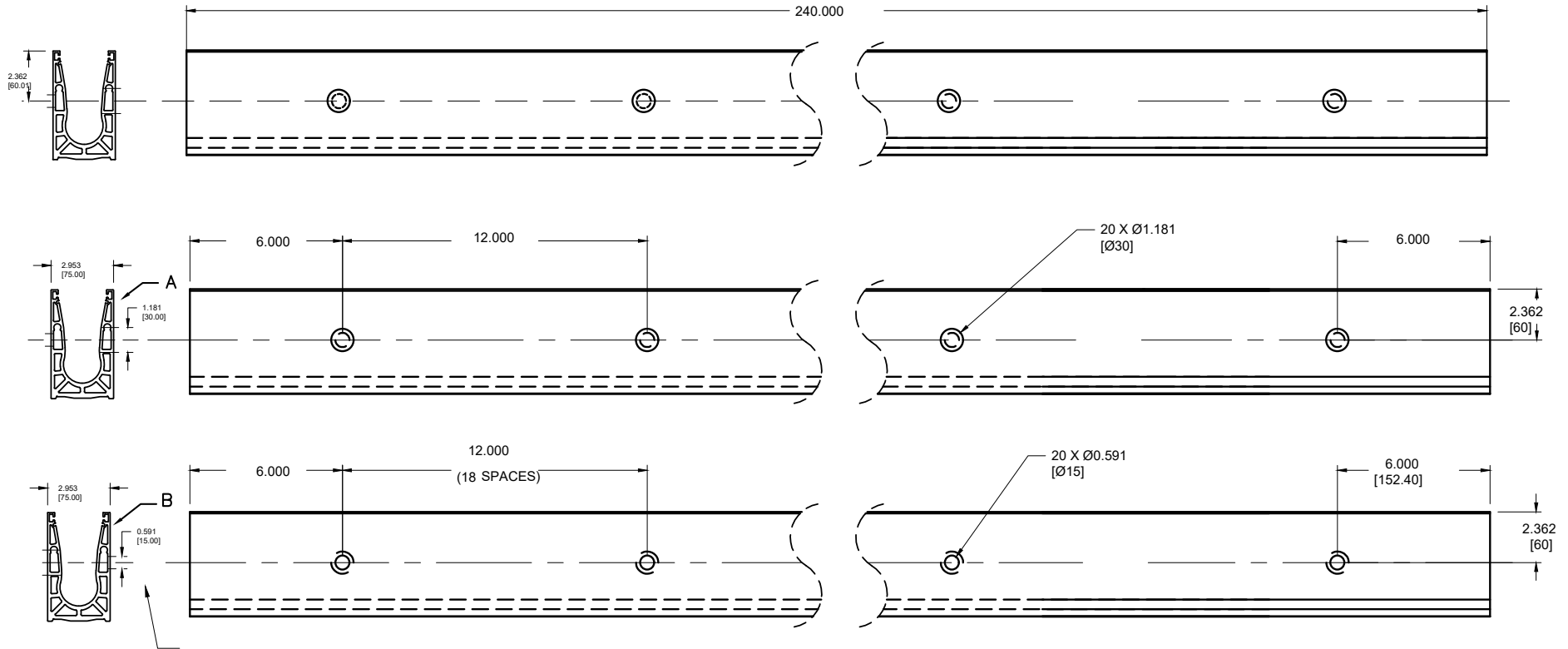


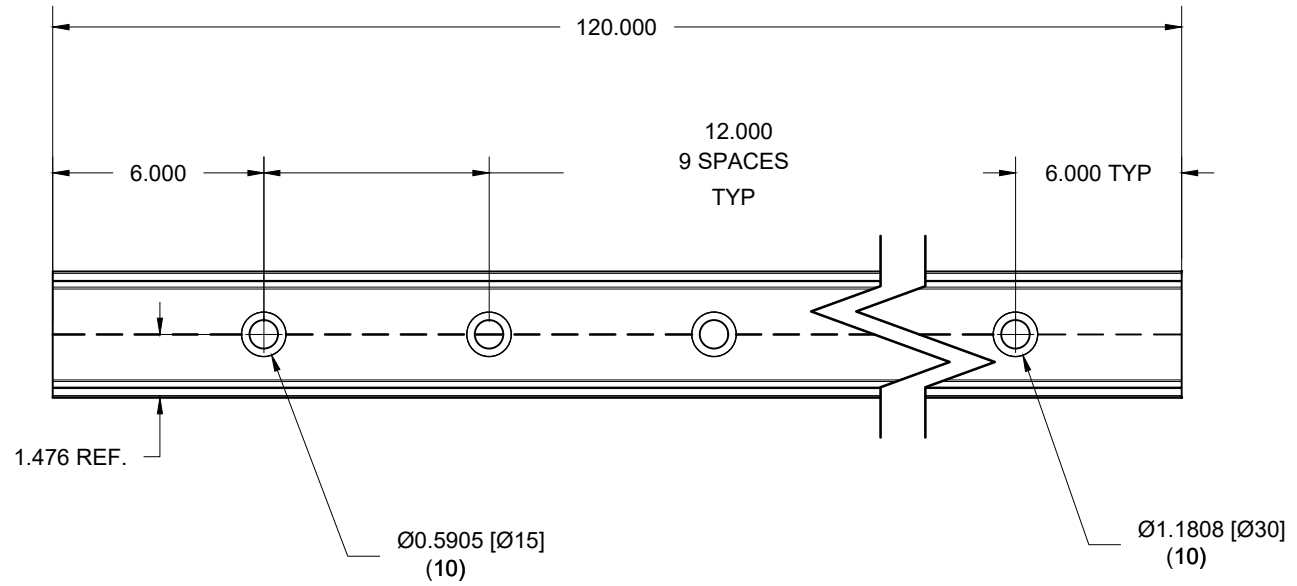
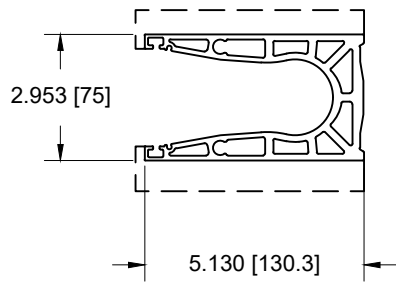
PART NO: VBS VETROMOUNT EXTRUSION PROFILE EXT		
DESCRIPTION: VETROMOUNT DRY GLAZE EXTRUSION PROFILE		
MATERIAL: VIRGIN EXTRUDED 6063 T66 ALUMINUM		
DATE: 01/24/2024	SIZE: A	SHEET 1 / 1
		



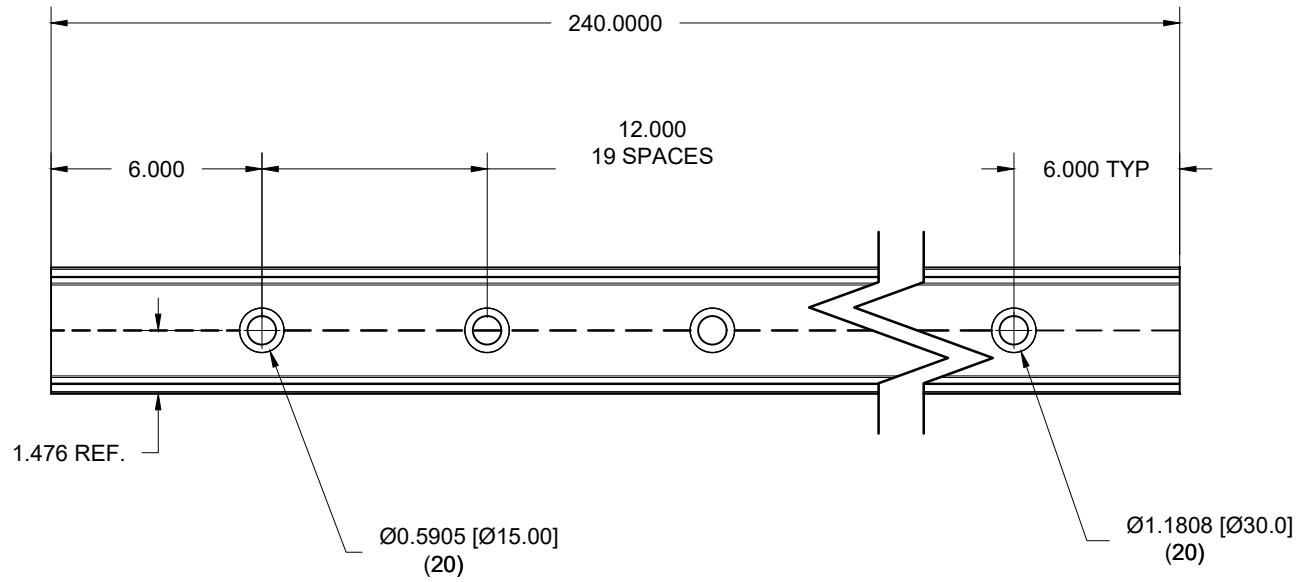
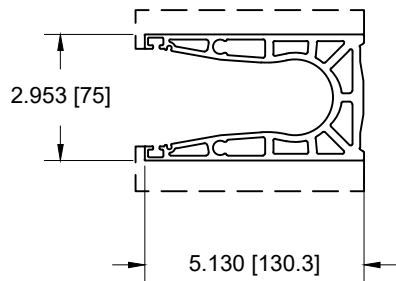
PART NO.			VBS-FM120-AMI
DESCRIPTION:			VetroMount® Base Shoe Facia Mount For 1/2-13/16" Glass 10' - Mill Finish
MATERIAL:			Aluminum
DATE:	SIZE:	SHEET	1 / 1
10/10/2023	A		
			



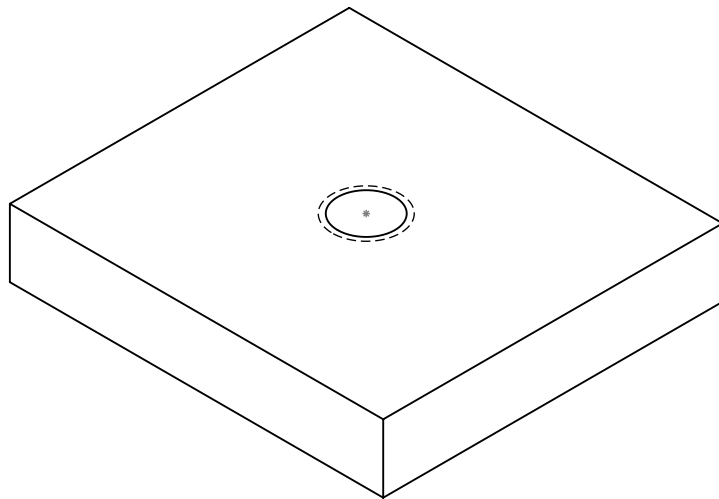
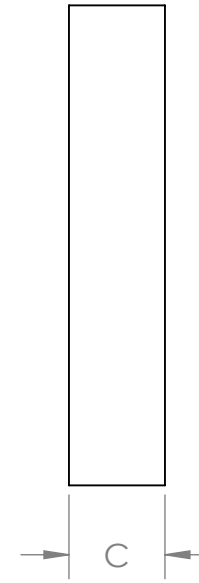
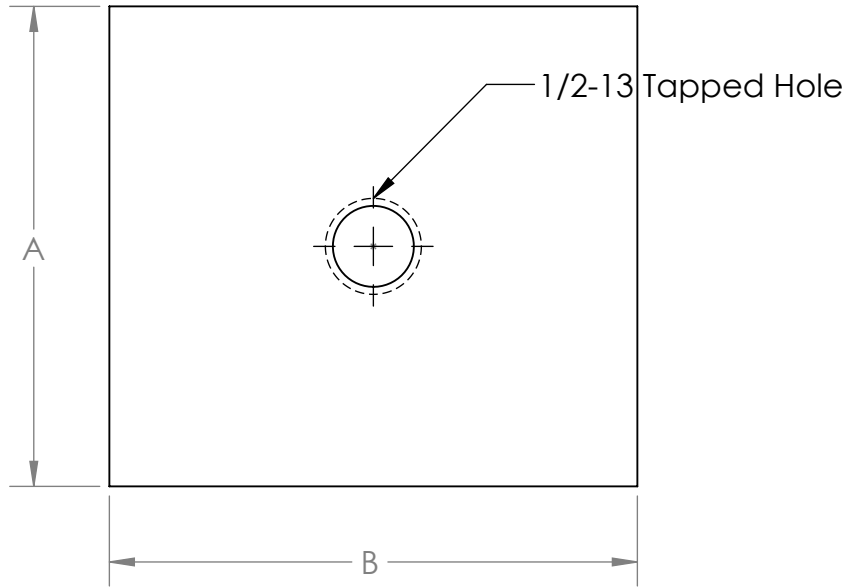
PART NO.			VBS-FM120-AMI
DESCRIPTION:			VetroMount® Base Shoe Facia Mount For 1/2-13/16" Glass 10' - Mill Finish
MATERIAL:			Aluminum
DATE:	SIZE:	SHEET	
10/10/2023	A	1 / 1	



PART NO.			VBS-SM120-AMI		
DESCRIPTION:					
VetroMount® Base Shoe Surface Mount For 1/2-13/16" Glass 10' - Mill Finish					
MATERIAL:					
Aluminum					
DATE:	10/10/2023	SIZE:	A	SHEET:	1 / 1



PART NO.			VBS-FM240-AMI
DESCRIPTION:			VetroMount® Base Shoe Facia Mount For 1/2-13/16" Glass 20' - Mill Finish
MATERIAL:			Aluminum
DATE:	SIZE:	SHEET	
10/10/2023	A	1 / 1	



SKU	A	B	C
WWB-27901	2.75"	2.5"	0.5"
VAC-WB212-SRA	2.5"	2.9375"	0.5"

PART NO: WELD BLOCK TECHNICAL

DESCRIPTION: WELD BLOCKS FOR USE WITH BASE SHOE

MATERIAL: CARBON STEEL

DATE: 03/22/2024 SIZE: A SHEET: 1 / 1