

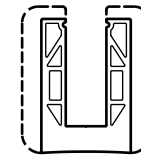
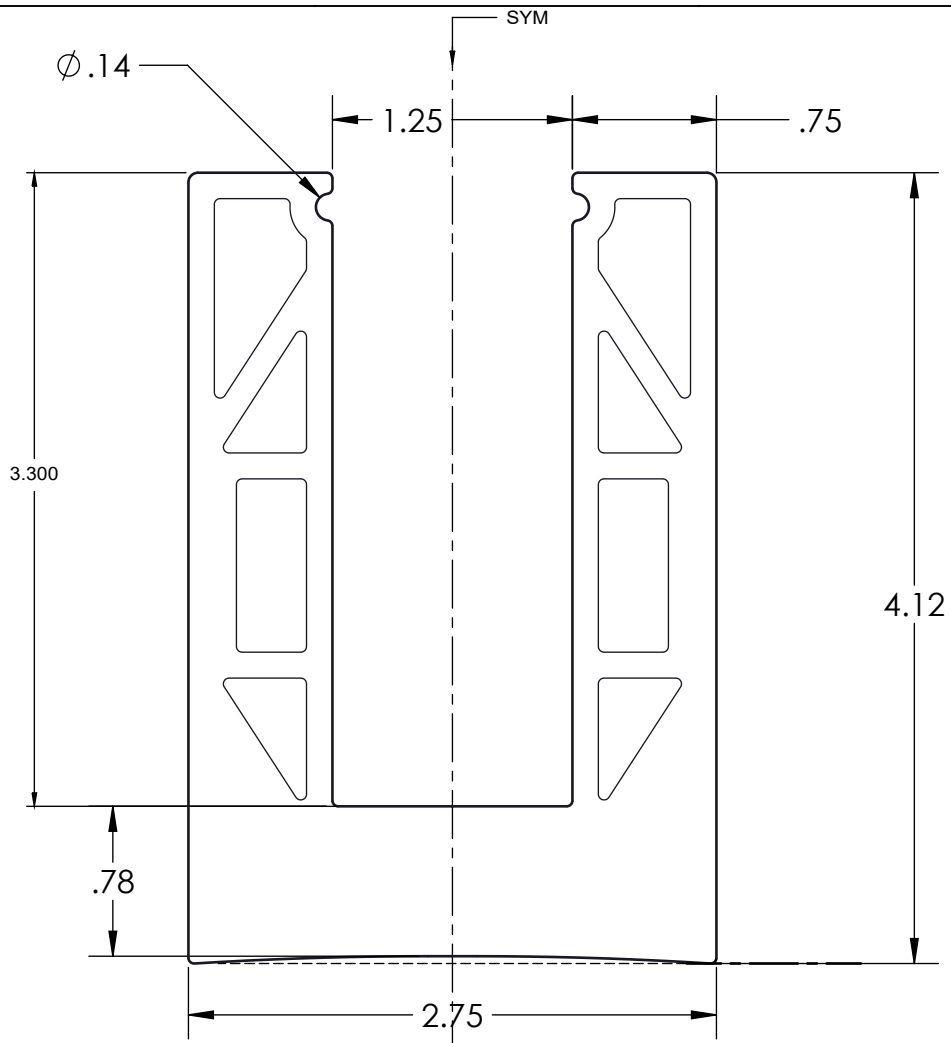


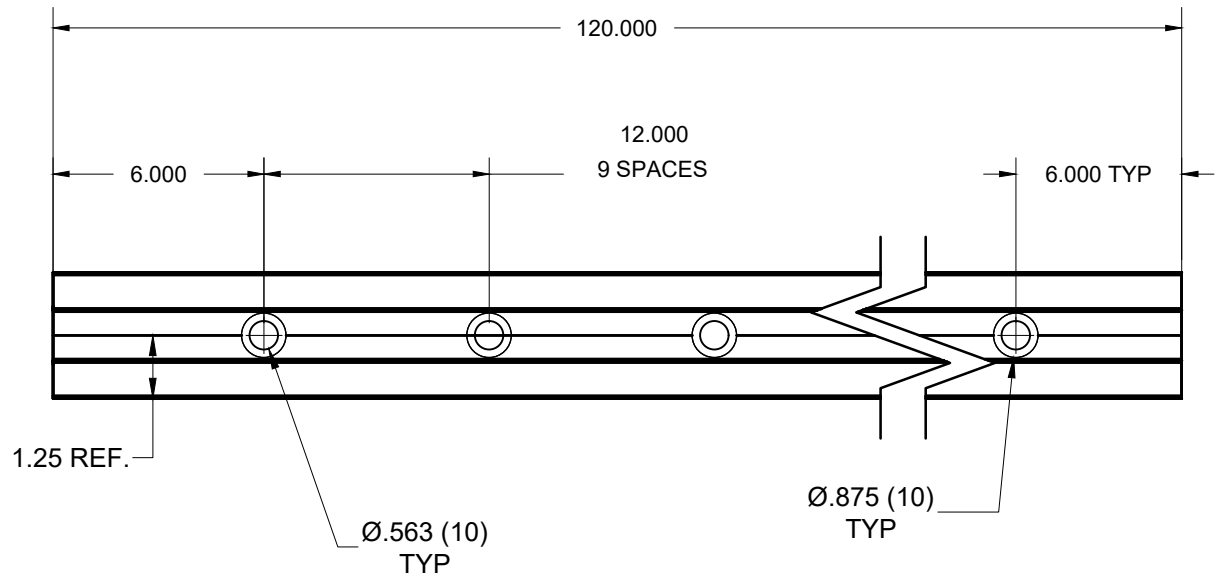
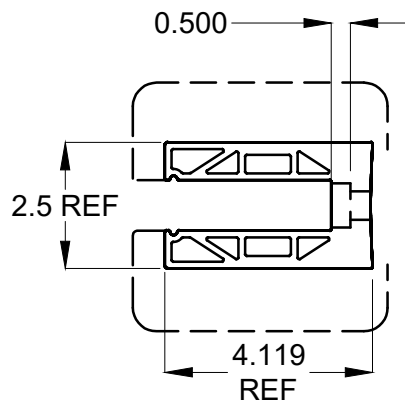




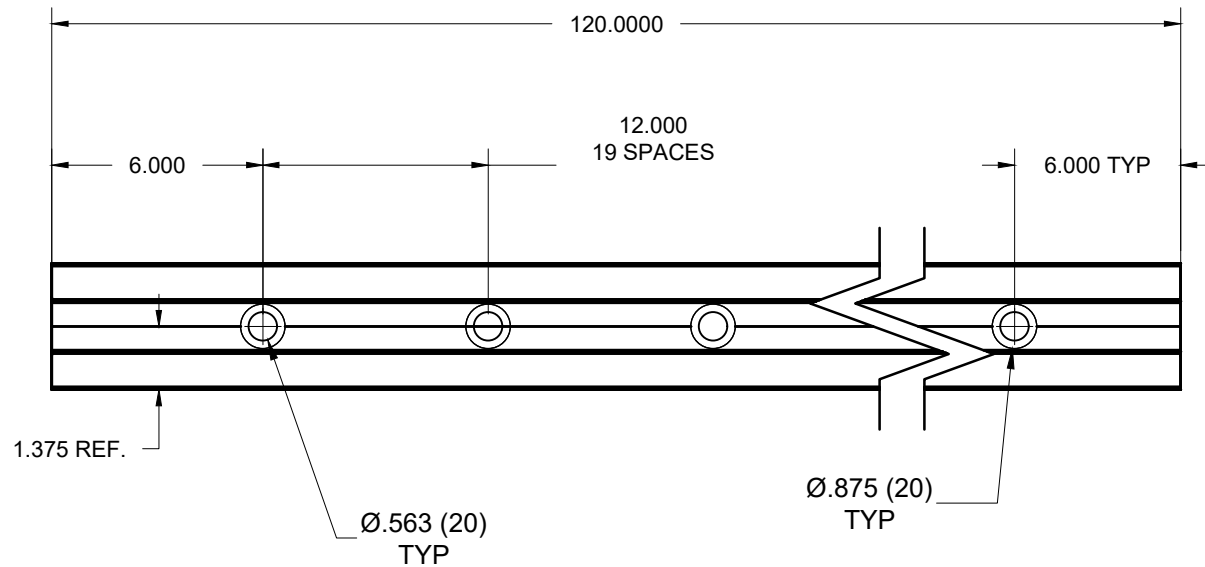
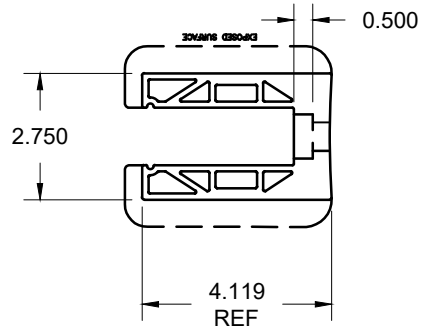
PART NO:			WBS 2.5 INCH PROFILE EXT		
DESCRIPTION:			WET GLAZE BASE SHOE EXTRUSION PROFILE		
MATERIAL:			VIRGIN 6063 T6 ALUMINUM		
DATE:	01/26/2024	SIZE:	A	SHEET:	1 / 1
					



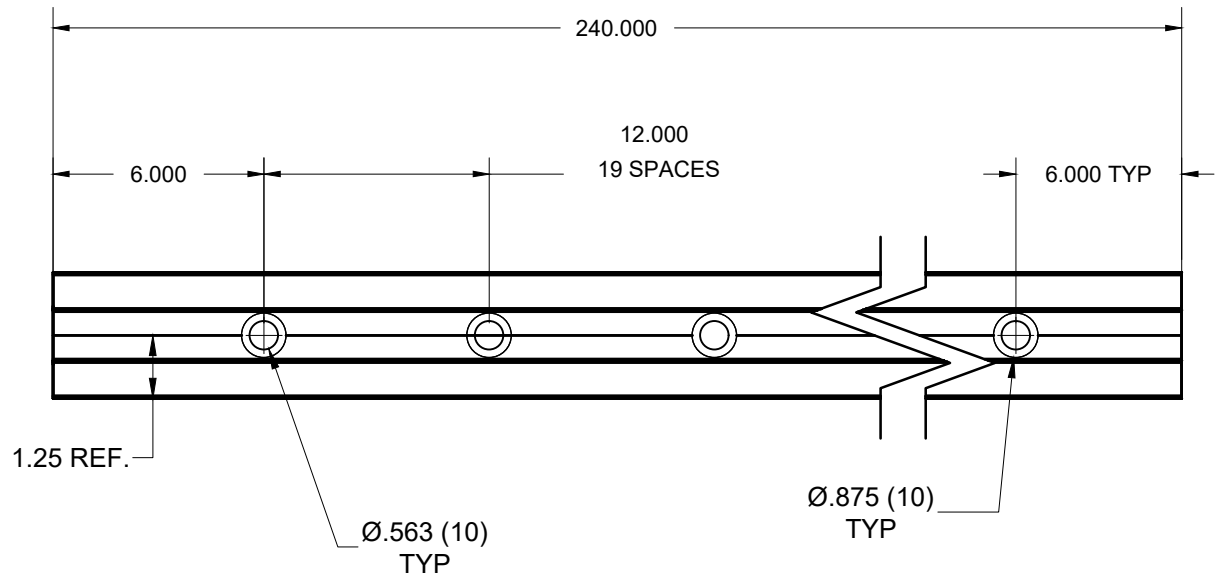
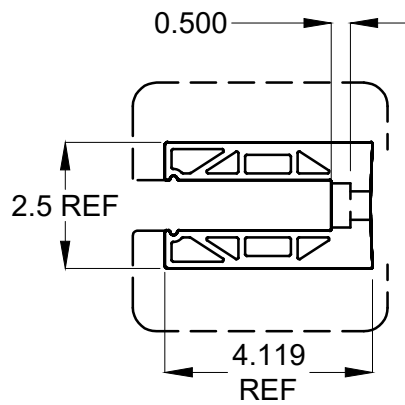
PART NO.			WBS 2.75 INCH PROFILE EXT		
DESCRIPTION:			WET GLAZE BASE SHOE 2.75" EXTRUSION PROFILE		
MATERIAL:			VIRGIN 6063 T6 ALUMINUM		
DATE:	01/26/2024	SIZE:	A	SHEET:	1 / 1
					



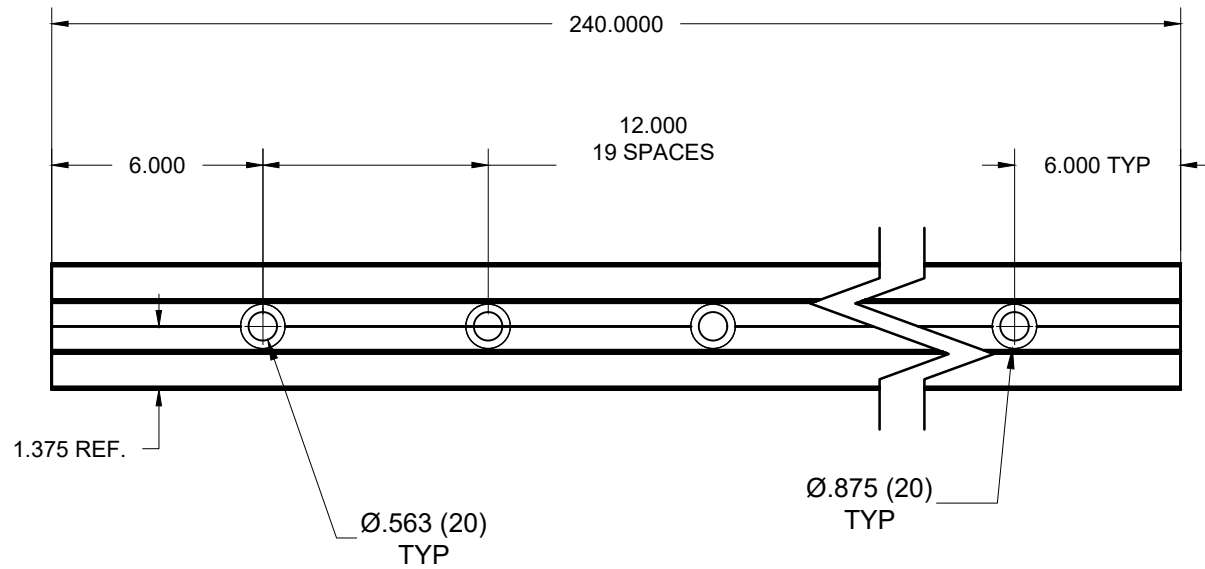
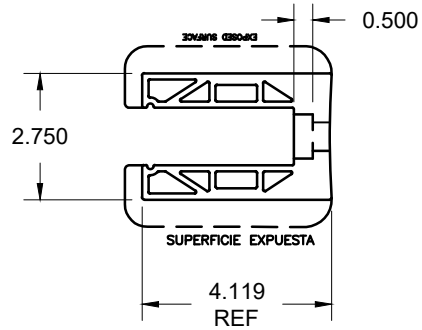
PART NO.			WBS-SM120-AMI		
DESCRIPTION:			Wet Glaze Base Shoe Surface Mount 2.5" For 1/2-9/16" Glass 10' - Mill Finish		
MATERIAL:			Aluminum		
DATE:	SIZE:	SHEET	1 / 1		
10/10/2023	A				
					



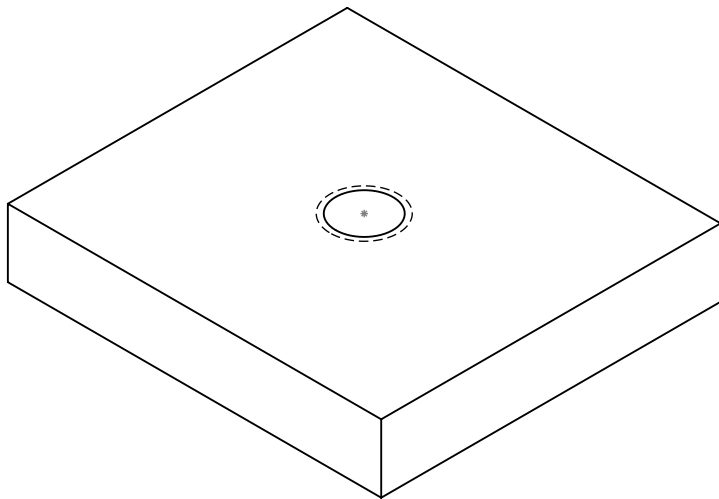
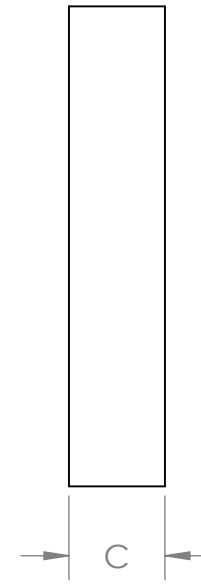
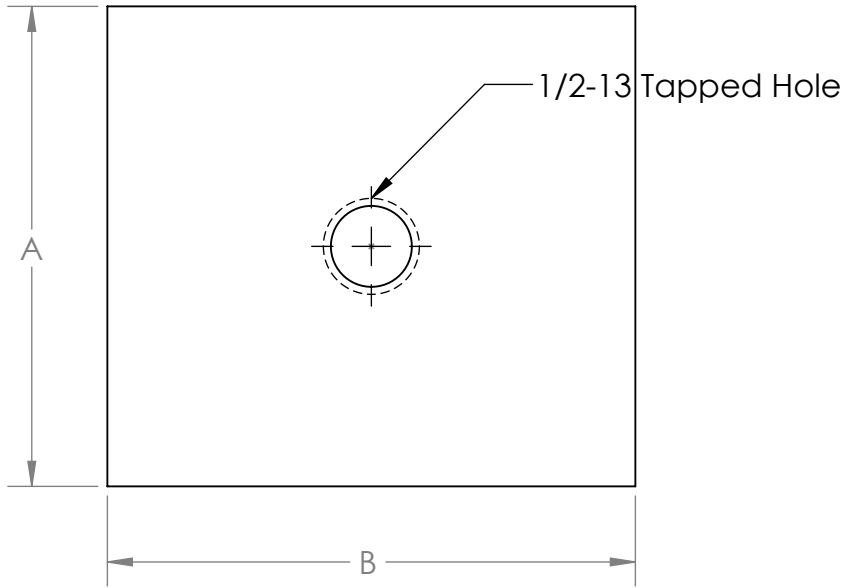
PART NO.			WBS-SM121-AMI		
DESCRIPTION:					
Wet Glaze Base Shoe Surface Mount 2.75" For 11/16-3/4" Glass 10' - Mill Finish					
MATERIAL:					
Aluminum					
DATE:	10/10/2023	SIZE:	A	SHEET:	1 / 1



PART NO.			WBS-SM120-AMI		
DESCRIPTION:					
Wet Glaze Base Shoe Surface Mount 2.5" For 1/2-9/16" Glass 10' - Mill Finish					
MATERIAL:					
Aluminum					
DATE:	10/10/2023	SIZE:	A	SHEET:	1 / 1



PART NO.			WBS-SM241-AMI		
DESCRIPTION:					
Wet Glaze Base Shoe Surface Mount 2.75" For 11/16-3/4" Glass 20' - Mill Finish					
MATERIAL:					
Aluminum					
DATE:	10/10/2023	SIZE:	A	SHEET:	1 / 1



SKU	A	B	C
WWB-27901	2.75"	2.5"	0.5"
VAC-WB212-SRA	2.5"	2.9375"	0.5"

PART NO: WELD BLOCK TECHNICAL

DESCRIPTION: WELD BLOCKS FOR USE WITH BASE SHOE

MATERIAL: CARBON STEEL

DATE: 03/22/2024      SIZE: A      SHEET: 1 / 1