

# PORTALS HARDWARE

## DELUXE FLAT/ROUND SHOWER DOOR HEADER KIT – 94"

Product Code: PSM00101

portals

### KIT CONTENTS & MATERIALS

- 94" [239 cm] aluminum header extrusion (1x)
- 36" [91 cm] aluminum snap-in filler insert (1x)
- 98" [249 cm] vinyl glazing insert (1x)
- Brass wall brackets & stainless steel set screws (2x)
- Stainless steel #10 x 2" [51 mm] wood screws (2x)

### FUNCTION DETAILS & PRODUCT NOTES

- Flat or round face can face outward depending on desired look of final installation.
- Header accepts 5/16" to 3/8" [6 to 10 mm] fixed glass panels with vinyl insert, or 1/2" [12 mm] panels without.
- Header is compatible with all Portals pivot hinges with **standard header brackets**.

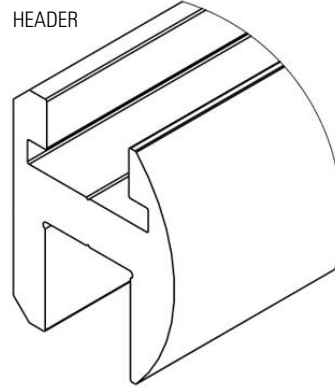
### CARE & MAINTENANCE

Portals products should be cleaned with water and dried with a soft cloth. Use of harsh or abrasive chemicals may harm product appearance and will void warranty.

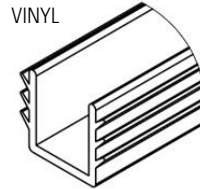
### WARRANTY

Lifetime warranty for residential use covers defects in material and workmanship of this product.

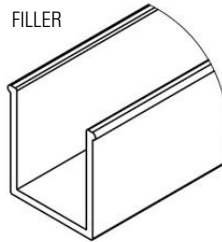
HEADER



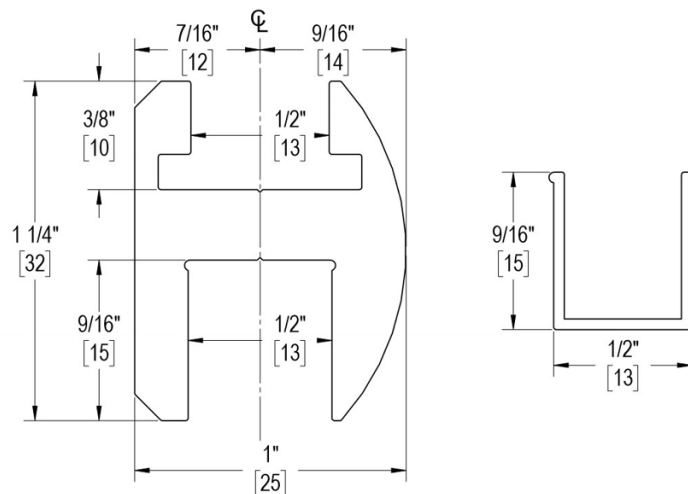
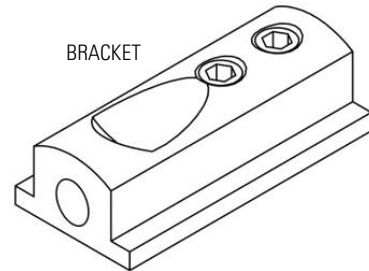
VINYL



FILLER



BRACKET



*Total deduction must take into account clearance required for Clamp or Channel used to secure bottom of panel*

Fixed Panel Thickness	5/16" to 1/2" [8 to 12 mm]
Length	94" [239 cm]
Suggested Deduction from Top of Header	Door: 1-3/8" [35 mm]
	Panel: 7/8" [22 mm]

# PORTALS HARDWARE

## DELUXE FLAT/ROUND

### SHOWER DOOR HEADER KIT – 94”

Product Code: PSM00101

#### DEDUCTIONS & CLEARANCES

Suggested gap/clearance values must be taken into account when sizing doors and panels.

#### INSTALLATION NOTES

##### ●Wall Brackets

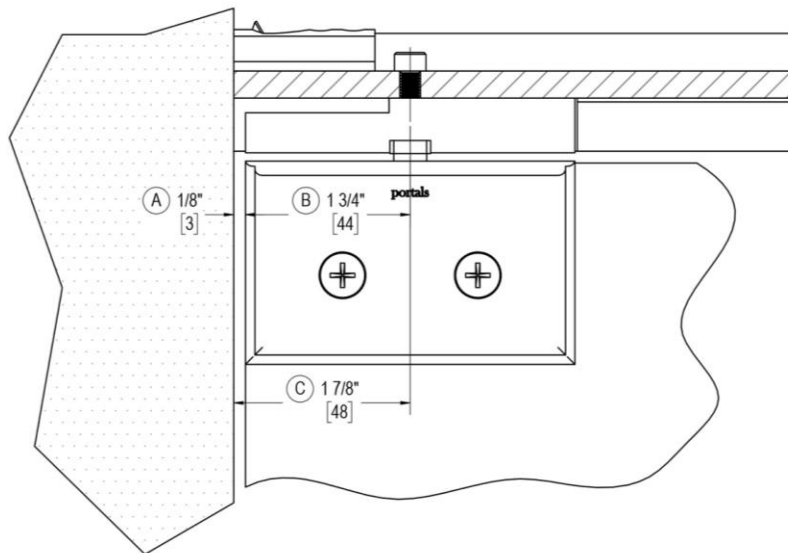
- Drill **1/8” [3 mm]** pilot holes in wall at glass center-line **1/4” [6 mm]** below desired top height of header. Use anchors where wood screws do not enter studs & adjust pilot hole size accordingly.
- Position brackets flush with ends of header and holes in bracket ends facing walls before tightening set screws with 3 mm Allen wrench to secure brackets in place.

##### ●Fixed Panels

- Use vinyl insert with 5/16” to 3/8” [6 to 10 mm] glass. Insert not needed for 1/2” [12 mm] glass.
- When test fitting fixed glass panels, use short ~1” [25mm] strips of vinyl.

##### ●Pivot Hinge Placement

- Header cross web must be drilled with **7/32” drill bit** to install a pivot hinge.
- Hole placement depends on A) desired wall-glass or glass-glass clearance, and B) location of hinge pin center relative to door edge. Add these values and measure that distance from end of header or edge of fixed panel.
- Our standard pivot template places pivot pin center **1-3/4” [44 mm]** from door edge. If hinge is inset, adjust distance accordingly.
- In example shown below, the location of the mounting hole **C** is based on the sum of the desired wall-glass clearance **A** and the distance between pin center and glass edge **B**.



*Total deduction must take into account clearance required for Clamp or Channel used to secure bottom of panel*

Fixed Panel Thickness	5/16” to 1/2” [8 to 12 mm]
Length	94” [239 cm]
Suggested Deduction from Top of Header	Door: 1-3/8” [35 mm]
	Panel: 7/8” [22 mm]