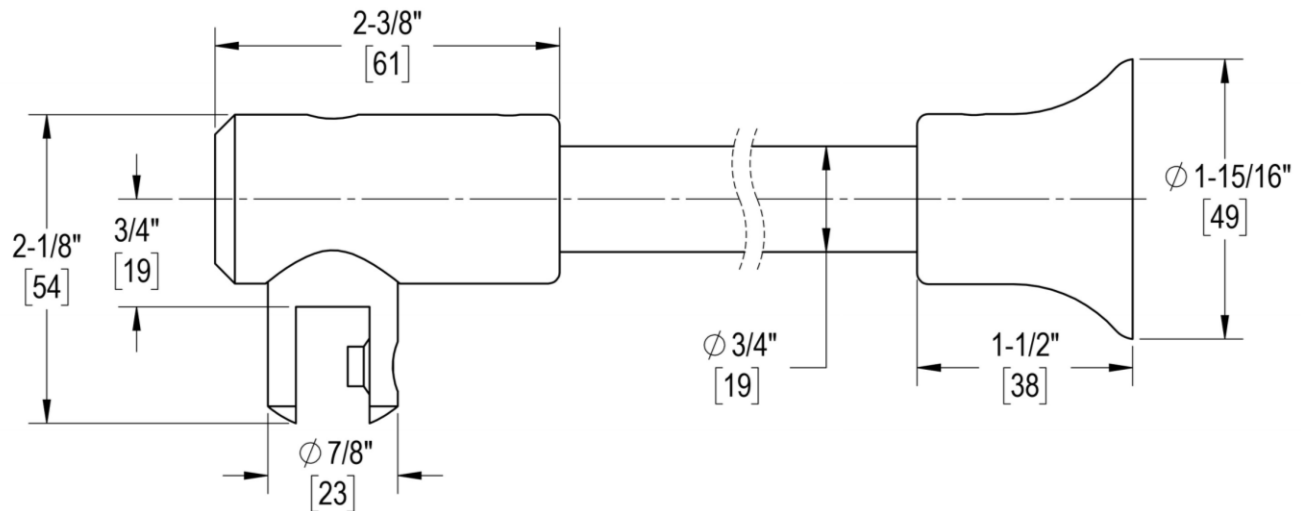
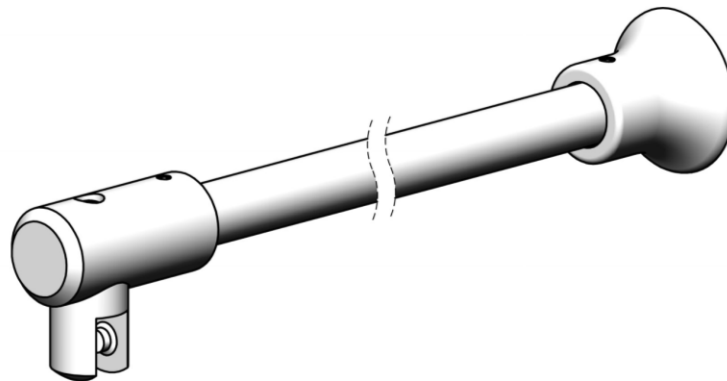


PORTALS HARDWARE

FIXED PANEL WALL-GLASS SUPPORT BAR

Product Code: PSM00510

portals



MATERIALS

Solid and tubular brass components, stainless steel fasteners, and clear polyurethane gaskets

FUNCTION DETAILS

- ϕ 3/4" x 39-7/16" [1002] support bar can be shortened as needed.
- Secures fixed panels in shower enclosures that do not meet the ceiling.
- End cap features swiveling clamp to accommodate various angles.
- Requires no special glass cutouts.
- Clamp uses nylon-tipped set screw to secure glass.

PRODUCT NOTES

- Item should only be used with tempered safety glass.
- Stationary glass panels must be supported and attached along at least two sides, but the number of clamps needed to secure a panel depends on its size and weight. Type, number, and placement of clamps should be determined by a qualified installer.

CARE & MAINTENANCE

Portals products should be cleaned with water and dried with a soft cloth. Use of harsh or abrasive chemicals may harm finish and will void the warranty.

WARRANTY

Lifetime warranty for residential use covers defects in material and workmanship of this product.

Glass Thickness

3/8" [10 mm] to 1/2" [12 mm]